

KombiSIGN 50 / LED Bulb LED Bulb 230VAC BU



Part No.: 956.500.68

MECHANICAL DATA

| | |
|-----------------------|-------------|
| Height | 41 mm |
| Diameter | 29 mm |
| Materials | PA-GF PC |
| Housing colour | Black |
| Weight with packaging | 14 g |
| Product weight | 10 g |

ELECTRICAL DATA

| | |
|-----------------------------|---------|
| Operating voltage | 230V |
| Operating voltage type | AC |
| Operating voltage frequency | 50Hz |
| Operating voltage tolerance | +/- 10% |
| Rated operational voltage | 230 VAC |
| Rated operational current | 15 mA |
| Rated inrush current | 500 mA |

OPTICAL DATA

| | |
|----------------------|------------------|
| Light source | LED |
| Light colour | Blue |
| Optical signal image | Permanent |
| Service life optical | 50,000 h maximum |
| Lamp fitting/socket | BA15d |

APPROVAL DATA

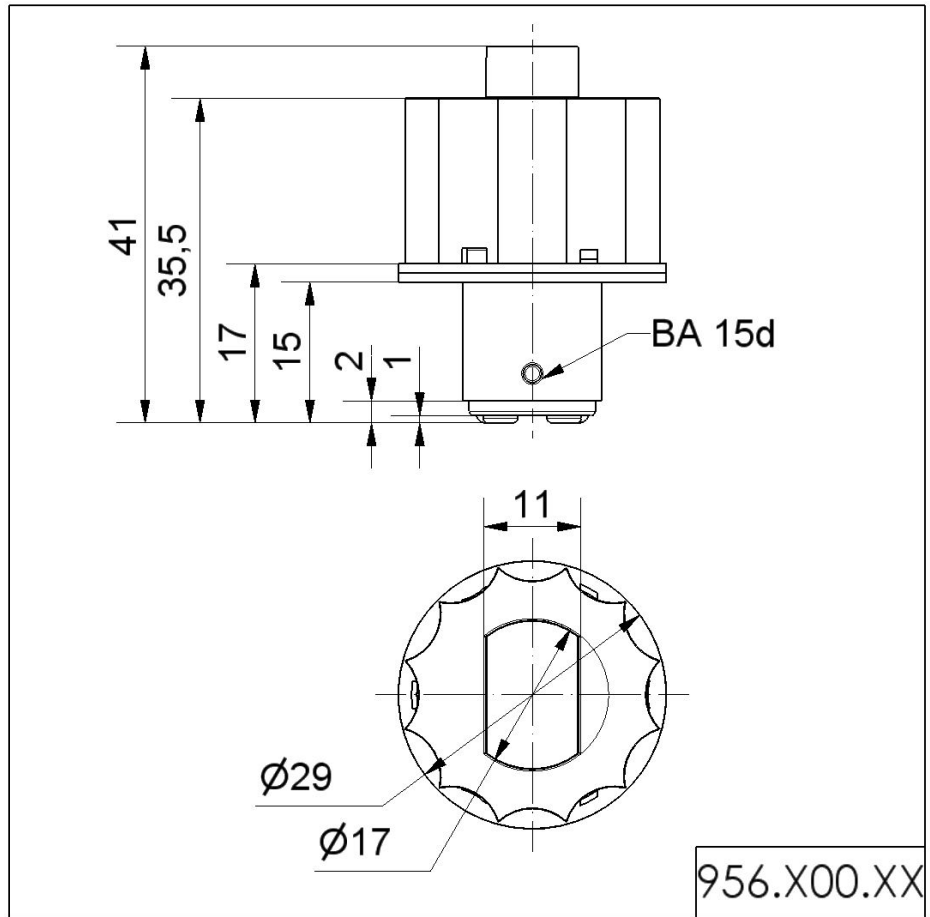
| | |
|-----------------------------|-----|
| WEEE | Yes |
| Conforms with RED directive | No |
| Conform with ATEX-directive | No |
| Conforms with CCC | No |
| Conforms with FCC | No |
| Conforms with IC | No |
| EAC certificate available | No |
| Conforms with AS-I | No |
| ICAO Certification | No |
| Conforms with DNV | No |
| Conforms with RoHS CN | No |



For additional installation and mounting information, refer to the appropriate user guide at www.werma.com. This printed copy is for information only and is subject to alteration.

KombiSIGN 50 / LED Bulb
LED Bulb 230VAC BU

DRAWING



For additional installation and mounting information, refer to the appropriate user guide at www.werma.com. This printed copy is for information only and is subject to alteration.