

Mini installation beacon / Beacon Multicolour
MC55 UL Beacon 10-30V RGB M12



Part No.: 240.320.50



MECHANICAL DATA

| | |
|-----------------------------|-------------------|
| Height | 71 mm |
| Diameter | 55 mm |
| Materials | PC |
| Dome colour | White |
| Housing colour | Black |
| Protection category | IP69K |
| Connection | M12 plug 5-pole |
| Type of fixing | Built-in mounting |
| Working temperature minimum | -20°C |
| Working temperature maximum | +50°C |

ELECTRICAL DATA

| | |
|-----------------------------|--------------------------------|
| Operating voltage | 10-30V |
| Operating voltage type | DC |
| Operating voltage tolerance | +/- 0% |
| Rated operational voltage | 24 VDC |
| Rated operational current | 120 mA |
| Rated inrush current | <700mA |
| Protection class | Protection class 2 |
| Pollution degree | 3 In the connection area: 2 |
| Overtoltage category | I |
| Isolation voltage | Ui = 50V / Uimp = 330V |

OPTICAL DATA

| | |
|----------------------|------------------|
| Light source | LED |
| Light colour | MC 7 colours |
| Optical signal image | Permanent |
| Service life optical | 50,000 h maximum |

APPROVAL DATA

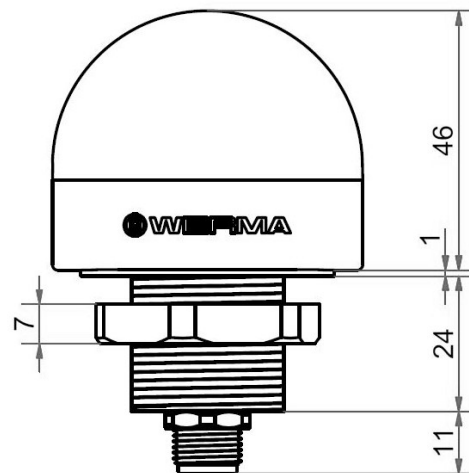
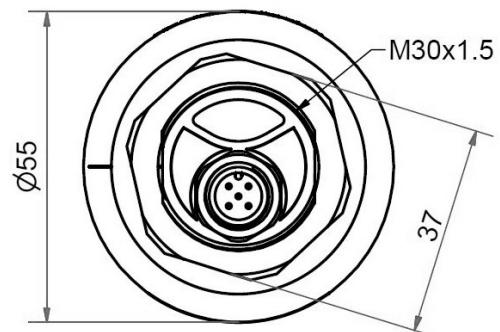
| | |
|-----------------------------|---------|
| Conforms with CE | Yes |
| WEEE | Yes |
| Conforms with RED directive | No |
| Conforms with CCC | No |
| Conforms with UL | cULus |
| UL Type Rating | Type 4X |
| Conforms with FCC | No |
| Conforms with IC | No |

! For additional installation and mounting information, refer to the appropriate user guide at www.werma.com. This printed copy is for information only and is subject to alteration.

Mini installation beacon / Beacon Multicolour
MC55 UL Beacon 10-30V RGB M12

| | |
|-------------------------------|-----------------------|
| EAC certificate available | No |
| Conforms with UKCA (Importer) | Yes (WERMA (UK) Ltd.) |
| Conforms with AS-I | No |
| Conforms with DNV | No |
| Conforms with RoHS CN | 25 years |
| Conforms with VdS | No |

DRAWING



! For additional installation and mounting information, refer to the appropriate user guide at www.werma.com. This printed copy is for information only and is subject to alteration.