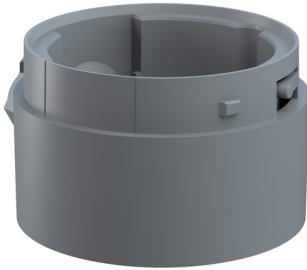


EvoSIGNAL / EvoSIGNAL Accessories

Midi Adaptor Cable Gland BM GY



Part No.: 261.700.02



MECHANICAL DATA

Height	53 mm
Diameter	85 mm
Materials	PC/ABS
Housing colour	Grey
Protection category	IP66
Cable entry	Screwed cable gland
Cable entry minimum	d = 8 mm
Cable entry maximum	d = 12 mm
Tension relief	Present (conforms to VDE)
Type of fixing	Base mounting
Working temperature minimum	-30°C
Working temperature maximum	+60°C
Weight with packaging	100 g
Product weight	100 g

ELECTRICAL DATA

Pollution degree	3
------------------	---

APPROVAL DATA

Conforms with CE	No
WEEE	No
Conforms with RED directive	No
Conform with ATEX-directive	No
Conforms with CCC	No
Conforms with UL	No
Conforms with FCC	No
Conforms with IC	No
EAC certificate available	Yes
Conforms with UKCA (Importer)	No
Conforms with AS-I	No
ICAO Certification	No
Conforms with DNV	No
Conforms with RoHS CN	No
Conforms with VdS	No

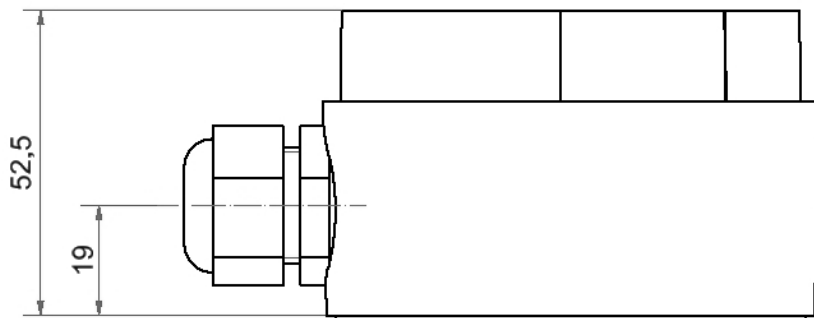
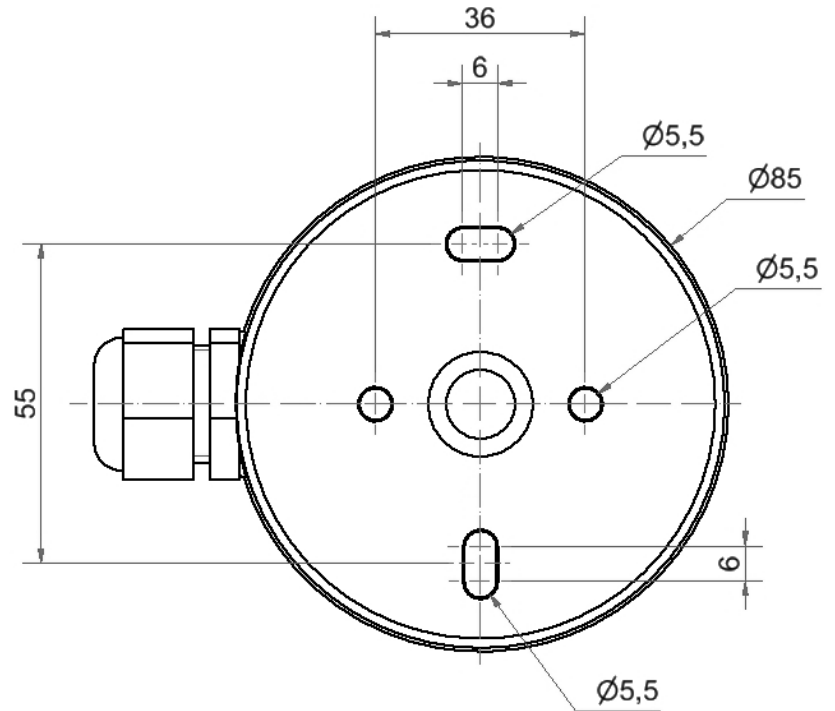


For additional installation and mounting information, refer to the appropriate user guide at www.werma.com. This printed copy is for information only and is subject to alteration.

EvoSIGNAL / EvoSIGNAL Accessories

Midi Adaptor Cable Gland BM GY

DRAWING



! For additional installation and mounting information, refer to the appropriate user guide at www.werma.com. This printed copy is for information only and is subject to alteration.