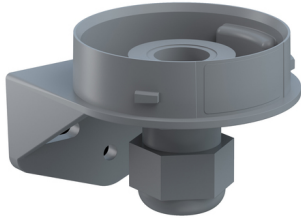


EvoSIGNAL / EvoSIGNAL Accessories  
**Mini Bracket Cable Gland GY**



Part No.: 260.700.06

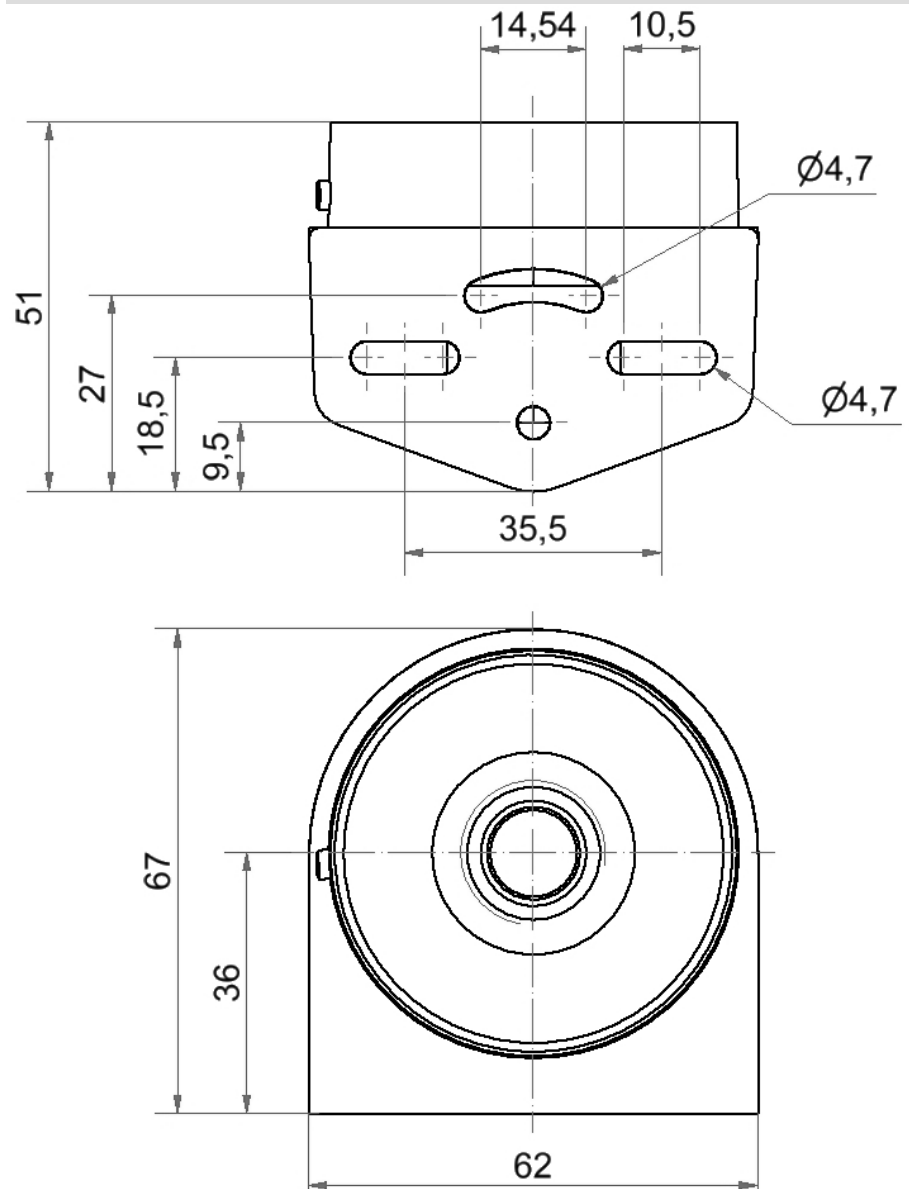


| MECHANICAL DATA               |                           |
|-------------------------------|---------------------------|
| Length                        | 67 mm                     |
| Width                         | 62 mm                     |
| Height                        | 51 mm                     |
| Diameter                      | 62 mm                     |
| Materials                     | PC/ABS                    |
| Housing colour                | Grey                      |
| Protection category           | IP66                      |
| Cable entry                   | Screwed cable gland       |
| Cable entry minimum           | d = 8 mm                  |
| Cable entry maximum           | d = 12 mm                 |
| Tension relief                | Present (conforms to VDE) |
| Type of fixing                | Wall mounting             |
| Working temperature minimum   | -30°C                     |
| Working temperature maximum   | +60°C                     |
| Weight with packaging         | 39 g                      |
| Product weight                | 35 g                      |
| ELECTRICAL DATA               |                           |
| Pollution degree              | 3                         |
| APPROVAL DATA                 |                           |
| Conforms with CE              | No                        |
| WEEE                          | No                        |
| Conforms with RED directive   | No                        |
| Conform with ATEX-directive   | No                        |
| Conforms with CCC             | No                        |
| Conforms with UL              | No                        |
| Conforms with FCC             | No                        |
| Conforms with IC              | No                        |
| EAC certificate available     | Yes                       |
| Conforms with UKCA (Importer) | No                        |
| Conforms with AS-I            | No                        |
| ICAO Certification            | No                        |
| Conforms with DNV             | No                        |
| Conforms with RoHS CN         | No                        |
| Conforms with VdS             | No                        |

**!** For additional installation and mounting information, refer to the appropriate user guide at [www.werma.com](http://www.werma.com). This printed copy is for information only and is subject to alteration.

EvoSIGNAL / EvoSIGNAL Accessories  
**Mini Bracket Cable Gland GY**

**DRAWING**



For additional installation and mounting information, refer to the appropriate user guide at [www.werma.com](http://www.werma.com). This printed copy is for information only and is subject to alteration.