

Permanent Light 800 / Accessories

Tube adapter BK



Part No.: 975.812.01

MECHANICAL DATA

Height	58 mm
Diameter	57 mm
Materials	PA-GF
Housing colour	Black
Weight with packaging	21 g
Product weight	21 g

APPROVAL DATA

WEEE	No
Conforms with RED directive	No
Conform with ATEX-directive	No
Conforms with CCC	No
Conforms with UL	No
Conforms with FCC	No
Conforms with IC	No
EAC certificate available	No
Conforms with AS-I	No
ICAO Certification	No
Conforms with DNV	No
Conforms with RoHS CN	No

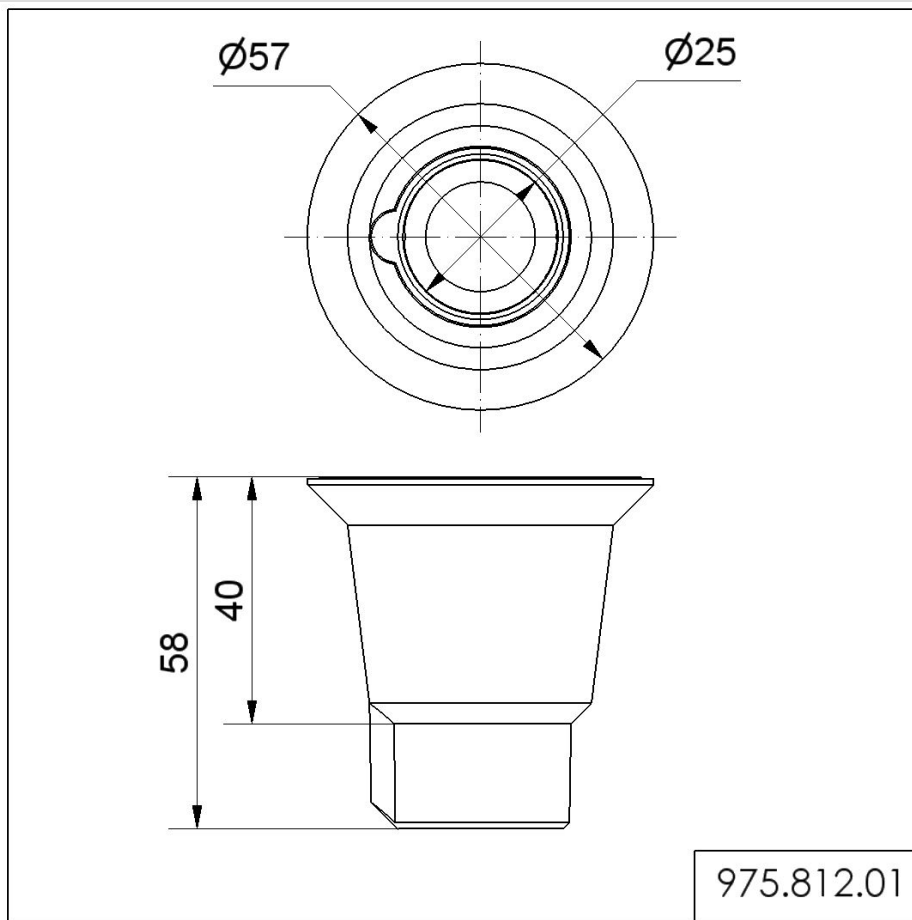


For additional installation and mounting information, refer to the appropriate user guide at www.werma.com. This printed copy is for information only and is subject to alteration.

Permanent Light 800 / Accessories

Tube adapter BK

DRAWING



For additional installation and mounting information, refer to the appropriate user guide at www.werma.com. This printed copy is for information only and is subject to alteration.