

LED-Permanent Light 280 / Accessories

Tube adapter RM BK**Part No.:** 975.883.09**MECHANICAL DATA**

| | |
|-----------------------|--------|
| Height | 77 mm |
| Diameter | 125 mm |
| Materials | PC/ABS |
| Housing colour | Black |
| Weight with packaging | 110 g |
| Product weight | 110 g |

APPROVAL DATA

| | |
|-----------------------------|----|
| WEEE | No |
| Conforms with RED directive | No |
| Conform with ATEX-directive | No |
| Conforms with CCC | No |
| Conforms with UL | No |
| Conforms with FCC | No |
| Conforms with IC | No |
| EAC certificate available | No |
| Conforms with AS-I | No |
| ICAO Certification | No |
| Conforms with DNV | No |
| Conforms with RoHS CN | No |

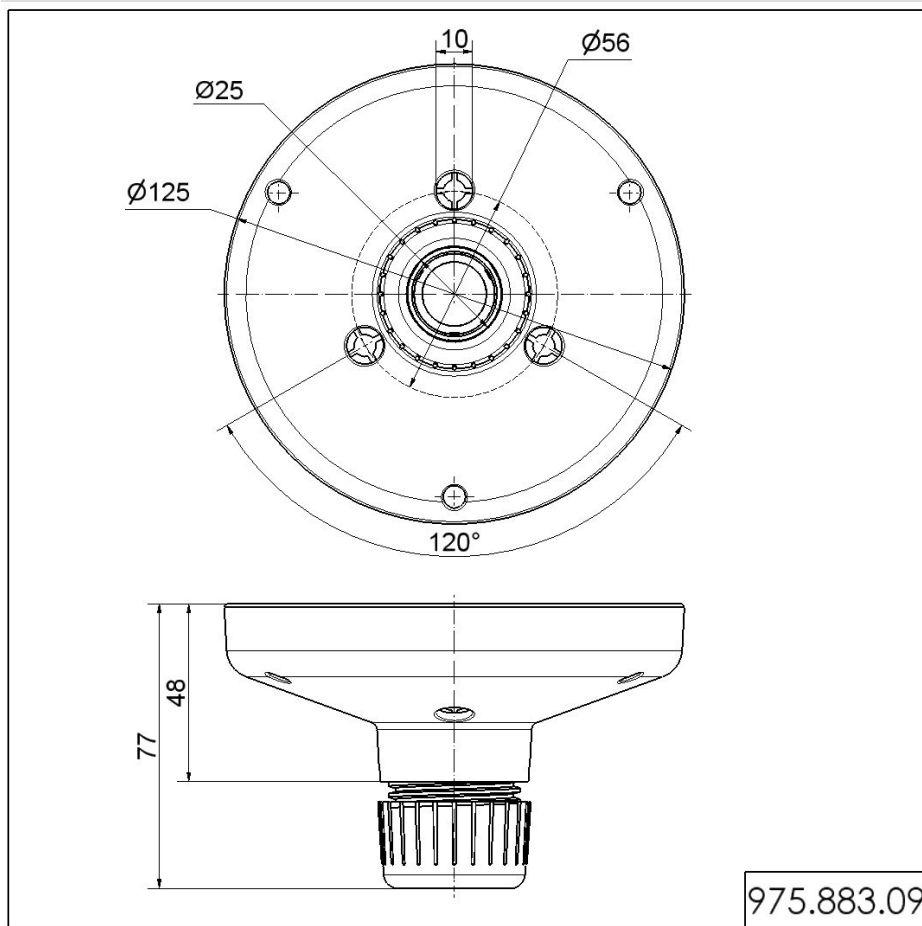


For additional installation and mounting information, refer to the appropriate user guide at www.werma.com. This printed copy is for information only and is subject to alteration.

LED-Permanent Light 280 / Accessories

Tube adapter RM BK

DRAWING



For additional installation and mounting information, refer to the appropriate user guide at www.werma.com. This printed copy is for information only and is subject to alteration.