

# DuraLED Sculptor II Round & Square Light Columns



Project Name:	<b>Project Information</b>	Fixture Type:
Complete Catalog #:		Date:
Comments:		

The DuraGuard AFRBT20Q & AFSBT20Q DuraLED 12-foot Sculptor II Light Columns provide contemporary pedestrian lighting. These fixtures are ideal for retail centers, schools and universities, public transit and airports, park walkways, plazas, office buildings, and medical facilities.

## SPECIFICATIONS AND FEATURES:

### HOUSING:

Extruded 12-foot Aluminum Housing with Die Cast Mounting Base, Sand Cast Twin Arm Head, and Sealed Driver Compartment. Includes PBR1 or PBS1 Decorative Clamshell Base Cover with Stainless Steel Hardware.

### LISTING & RATINGS:

CSA: Listed for Wet Locations, ANSI/UL 1598, 8750 IP66 Sealed LED Compartment.

### FINISH:

Textured Architectural Black Powdercoat Finish Over a Chromate Conversion Coating. Custom Colors Available Upon Request.

### LENS:

SoftLED LumaLens Opal UV-Stabilized Polycarbonate Vandal-Resistant Lens to Seal LED Array.

### MOUNTING OPTIONS:

Mounts with Four M18 x 15" Anchor Bolts, Included.

### DURALED LED:

Aluminum Boards

### WATTAGE:

12w: Array 11.8, System 12.9; (70w HID Equivalent)  
 17w: Array 16.5w, System: 18.1w; (70w HID Equivalent)  
 25w: Array 24.8w, System 27.1w; (70w HID Equivalent)

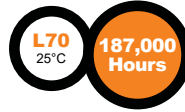
### DRIVER:

Electronic Driver, 120-277V, 50/60Hz or 347V, 50/60Hz; Less Than 20% THD and PF>0.90. Standard Internal Surge Protection 2kV. 0-10V Dimming Standard for a Dimming Range of 100% to 10%; Dimming Source Current is 150 Microamps.

### WARRANTY:

5-Year Warranty for -40°C to +50°C Environment.

See Page 3 for Projected Lumen Maintenance Table.



AFRBT20Q



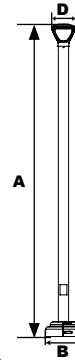
AFSBT20Q



PBR1



PBS1



### Dimensions

<b>Diameter (D)</b>	11" (280mm)
<b>Height (A)</b>	144" (3658mm)
<b>Mounting Base (B)</b>	8" (205mm) Square
<b>Decorative Round Base Cover (B)</b>	16" (422mm) Diameter
<b>Decorative Square Base Cover (B)</b>	12" (320mm) Square

### DuraLED TECHNOLOGY

Complete Units  
 Ordering Information  
 Example: AFRBT20QF1X17U5KLB

## DuraLED Sculptor II Round & Square Light Columns

	F				L	B			
Model	Optics	Wattage	Driver	CCT	Lens	Color	Height	Base Cover	Options
	F=Wide Beam Spread	1X12=12w 1X17=17w 1X25=25w	U=120-277V C=347V* *17w Model Only.	3K=3000K 4K=4000K 5K=5000K	L=SoftLED LumaLens Opal UV-Stabilized Polycarbonate Array Lens	B=Black	(Leave Blank)= 12' Standard Height 10=10' Height 8=8' Height C=Custom (Consult Factory)		LBC=Less Base Cover
<p>AFRBT20Q=DuraLED Sculptor II Round Light Column                      AFSBT20Q=DuraLED Sculptor II Square Light Column</p>									

RBC: Round Base Cover  
 SBC: Square Base Cover



Specifications subject to change without notice.

# DuraLED Sculptor II Round & Square Light Columns



## ACCESSORIES & REPLACEMENT PARTS:



PBR1\*

PBS1\*

\*Shown Mounted

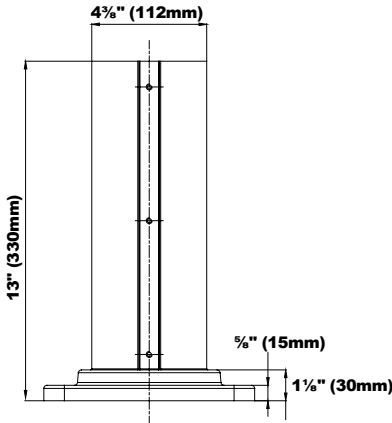
### Replacement Parts (Order Separately, Field Installed)

PBR1\* Decorative Clamshell Base Cover, 16 $\frac{1}{8}$ " Diameter, Powdercoat Finish

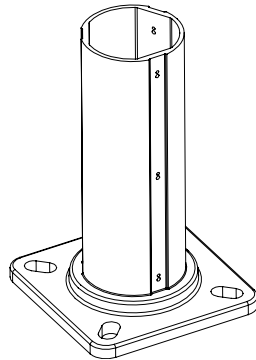
PBS1\* Decorative Clamshell Base Cover, 12 $\frac{1}{2}$ " Square, Powdercoat Finish

\*Specify Color: B=Black, C=Custom (Consult Factory)

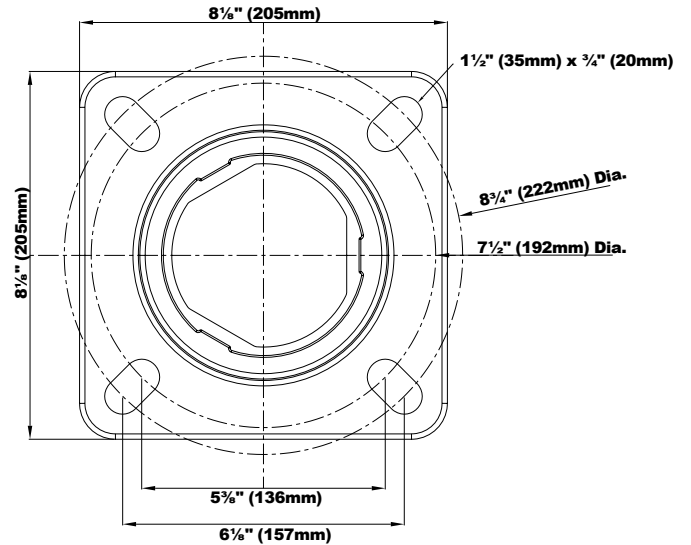
## ROUND AFRBT20Q BASE:



Round AFRBT20Q Base



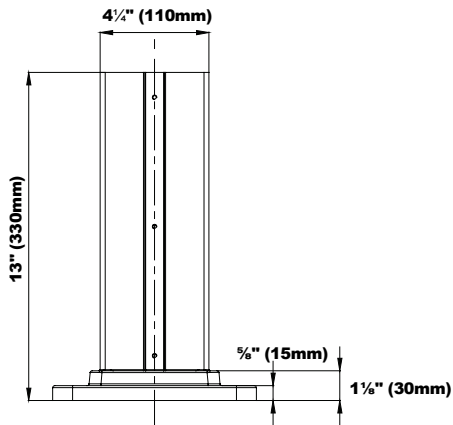
Round AFRBT20Q Base



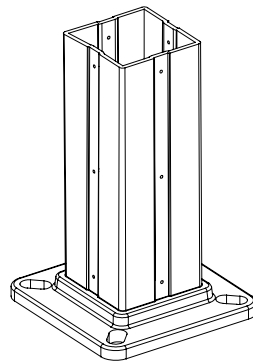
Round AFRBT20Q Base  
\*Base Not to Scale

Shaft Base Size	Bolt Circle A	Base Size B	Anchor Bolt Size
Round AFRBT20Q	Min 7.5" (192mm); Max 8.75" (222mm)	8.125" x 8.125"	M18 x 15"

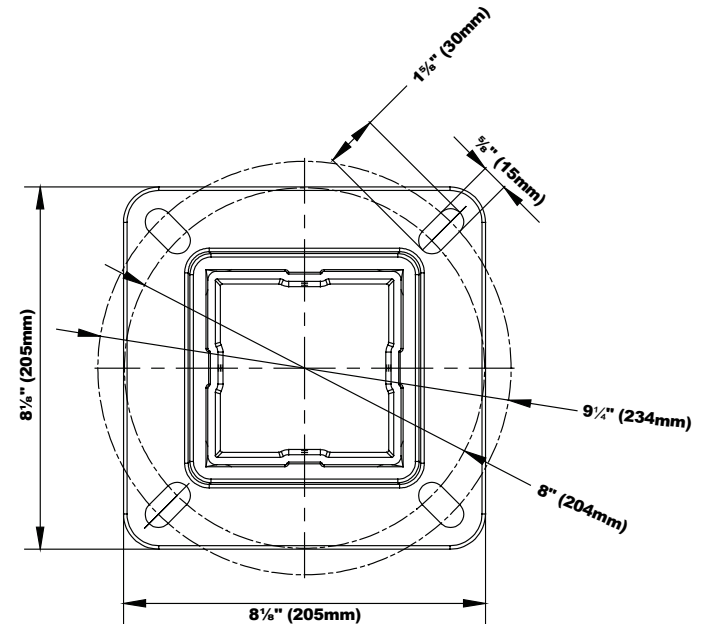
## SQUARE AFSBT20Q BASE:



Square AFSBT20Q Base



Square AFSBT20Q Base



Square AFSBT20Q Base  
\*Base Not to Scale

Shaft Base Size	Bolt Circle A	Base Size B	Anchor Bolt Size
Square AFSBT20Q	Min 8" (204mm); Max 9.25" (234mm)	8.125" x 8.125"	M12 x 15.75"

Specifications subject to change without notice.

# DuraLED Sculptor II Round & Square Light Columns



## PHOTOMETRIC PERFORMANCE

		Wattage (Catalog Logic)	12W (1X12)	17W (1X17)	25W (1X25)
		Input Watts	12.9W	18.1W	27.1W
Optic	CCT	Delivered Lumens			
<b>AFRBT20Q &amp; AFSBT20Q Type V Optic</b>	3000K	1,403	1,964	2,946	
	4000K	1,516	2,123	3,184	
	5000K	1,580	2,212	3,318	
	BUG Rating	B1-U1-G0	B1-U1-G0	B2-U1-G0	

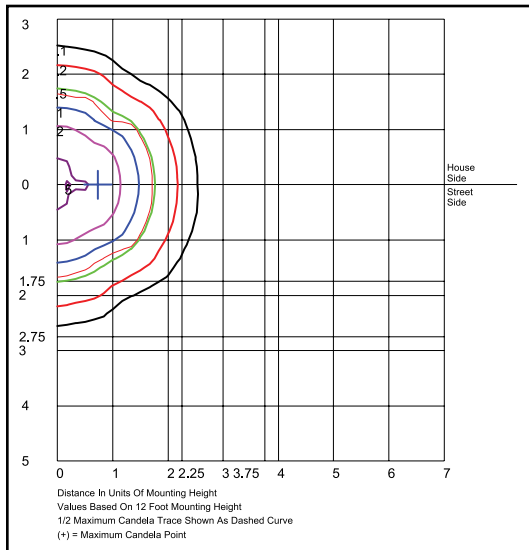
## PROJECTED LUMEN MAINTENANCE

Data shown for 5000 CCT		Compare to MH				
TM-21-11	Input Watts	Initial	25,000 Hrs	50,000 Hrs	100,000 Hrs	Calculated LED Life
<b>AFRBT20 L70 Lumen Maintenance @ 25°C / 77°F</b>	All wattages up to and including 27w	1.00	0.96	0.92	0.84	187,000
<b>AFRBT20 L70 Lumen Maintenance @ 50°C / 122°F</b>		1.00	0.93	0.87	0.73	113,000
<b>AFRBT20 L80 Lumen Maintenance @ 40°C / 104°F</b>		1.00	0.97	0.93	0.86	144,000

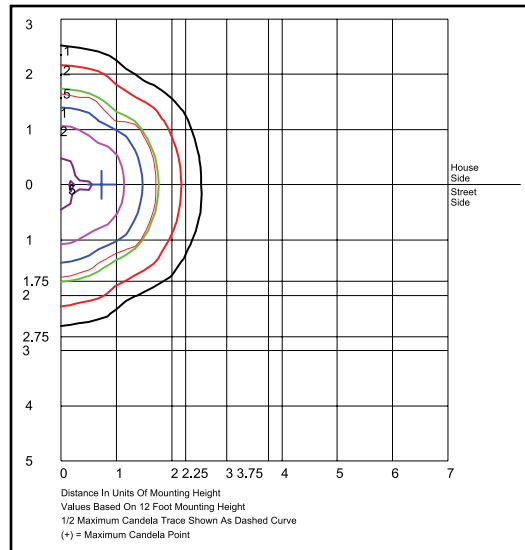
**NOTES:**

1. Projected per IESNA TM-21-11. Data references the extrapolated performance projections for the base model in a 25°C ambient, based on 10,000 hours of LED testing per IESNA LM-80-08.
2. Compare to MH box indicates suggested Light Loss Factor (LLF) to be used when comparing to Metal Halide (MH) systems.

## PHOTOMETRIC DATA



**AFRBT20QF1X25U5KL**  
**Type V**  
Grid in feet, Mounting Height=3.7m



**AFSBT20QF1X25U5KL**  
**Type V**  
Grid in feet, Mounting Height=3.7m