

DuraLED Sculptor Round & Square Light Columns



Project Name:	Project Information	Fixture Type:
Complete Catalog #:		Date:
Comments:		

The DuraGuard B3TQ & B4TQ DuraLED 12-foot Sculptor Light Columns provide contemporary pedestrian lighting. These fixtures are ideal for retail centers, schools and universities, public transit and airports, park walkways, plazas, office buildings, and medical facilities.

SPECIFICATIONS AND FEATURES:

HOUSING:

Extruded 12-foot Aluminum Housing with Die Cast Mounting Base, Round Flat Head, and Sealed Driver Compartment. Includes PBR1 or PBS1 Decorative Clamshell Base Cover with Stainless Steel Hardware.

LISTING & RATINGS:

CSA: Listed for Wet Locations, ANSI/UL 1598, 8750 IP66 Sealed LED Compartment.

FINISH:

Textured Architectural Black Powdercoat Finish Over a Chromate Conversion Coating. Custom Colors Available Upon Request.

LENS:

Clear UV-Stabilized Polycarbonate or SoftLED LumaLens Opal UV-Stabilized Polycarbonate Vandal-Resistant Lens to Seal LED Array.

MOUNTING OPTIONS:

Mounts with Four M18 x 15" Anchor Bolts, Included.

DURALED LED:

Aluminum Boards

WATTAGE:

Array: 16.6w, System: 18.1w; (70w HID Equivalent)
Array: 25w, System: 27.2w; (70w HID Equivalent)

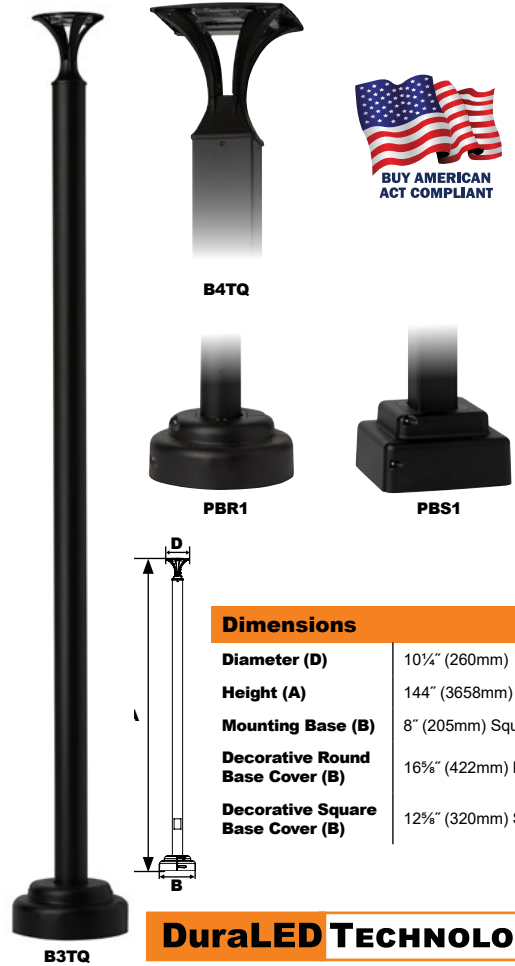
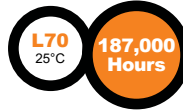
DRIVER:

Electronic Driver, 120-277V, 50/60Hz or 347V, 50/60Hz; Less Than 20% THD and PF>0.90. Standard Internal Surge Protection 2kV. 0-10V Dimming Standard for a Dimming Range of 100% to 10%; Dimming Source Current is 150 Microamps.

WARRANTY:

5-Year Warranty for -40°C to +50°C Environment.

See Page 4 for Projected Lumen Maintenance Table.



Dimensions	
Diameter (D)	10 1/4" (260mm)
Height (A)	144" (3658mm)
Mounting Base (B)	8" (205mm) Square
Decorative Round Base Cover (B)	16 1/2" (422mm) Diameter
Decorative Square Base Cover (B)	12 1/2" (320mm) Square

DuraLED TECHNOLOGY

Complete Units
Ordering Information
Example: B3TQF1X16U5KLB10RBC

DuraLED Sculptor Round & Square Light Columns

Model	Optics	Wattage	Driver	CCT	Lens	Color	Height	Base Cover	Options
	F =Wide Beam Spread	1X16 =16w 1X25 =25w	U =120-277V	3K =3000K 4K =4000K 5K =5000K		B =Black C =Custom (Consult Factory)	(Leave Blank) = 12' Standard Height 10 =10' Height 8 =8' Height C =Custom (Consult Factory)	RBC =Round Base Cover SBC =Square Base Cover	LBC =Less Base Cover
B3TQ =DuraLED Sculptor Round Light Column B4TQ =DuraLED Sculptor Square Light Column									
C =Clear UV-Stabilized Polycarbonate Array Lens L =SoftLED LumaLens Opal UV-Stabilized Polycarbonate Array Lens									



Specifications subject to change without notice.

DuraLED Sculptor Round & Square Light Columns



ACCESSORIES & REPLACEMENT PARTS:



PBR1*

PBS1*

*Shown Mounted

Replacement Parts (Order Separately, Field Installed)

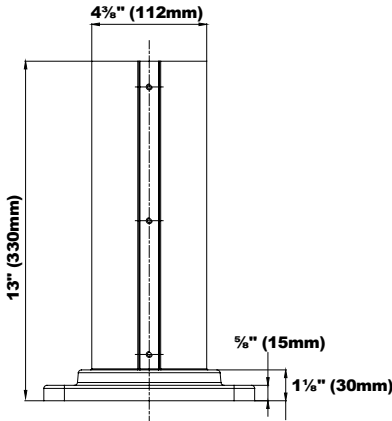
PBR1* Decorative Clamshell Base Cover, 16 $\frac{1}{2}$ " Diameter, Powdercoat Finish

PBS1* Decorative Clamshell Base Cover, 12 $\frac{1}{2}$ " Square, Powdercoat Finish

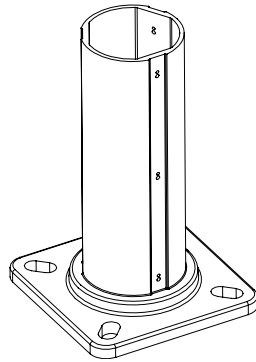
*Specify Color: B=Black, C=Custom (Consult Factory)

BASE INFORMATION:

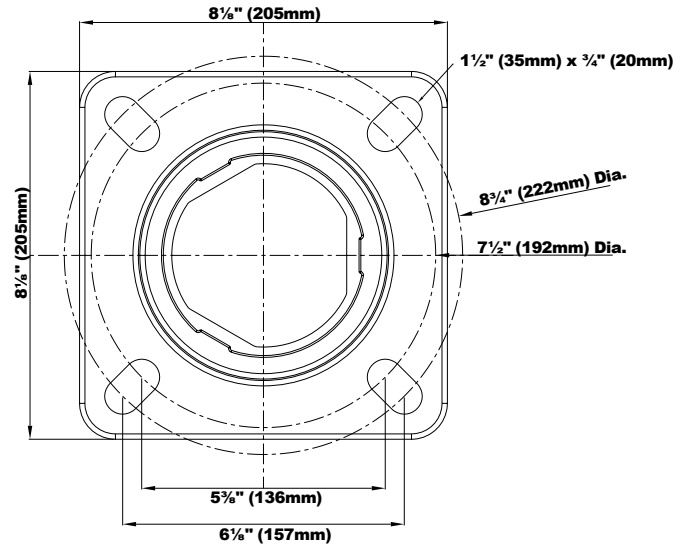
ROUND B3T BASE:



Round B3T Base



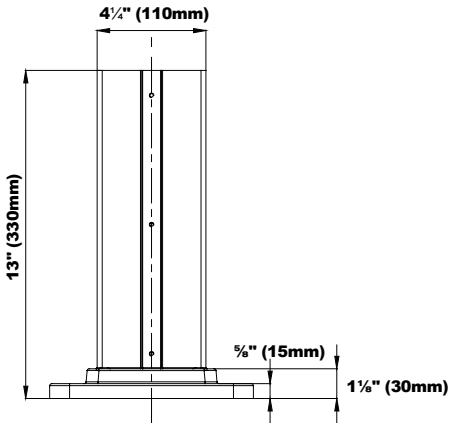
Round B3T Base



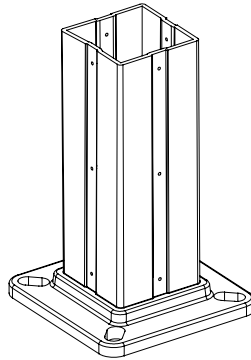
Round B3T Base
*Base Not to Scale

Shaft Base Size	Bolt Circle A	Base Size B	Anchor Bolt Size
Round B3T	Min 7.5" (192mm); Max 8.75" (222mm)	8.125" x 8.125"	M18 x 15"

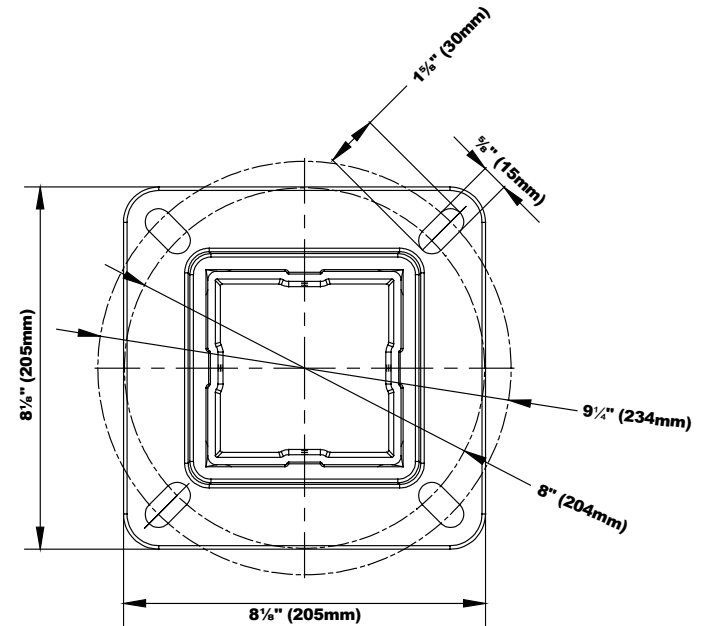
SQUARE B4T BASE:



Square B4T Base



Square B4T Base



Square B4T Base
*Base Not to Scale

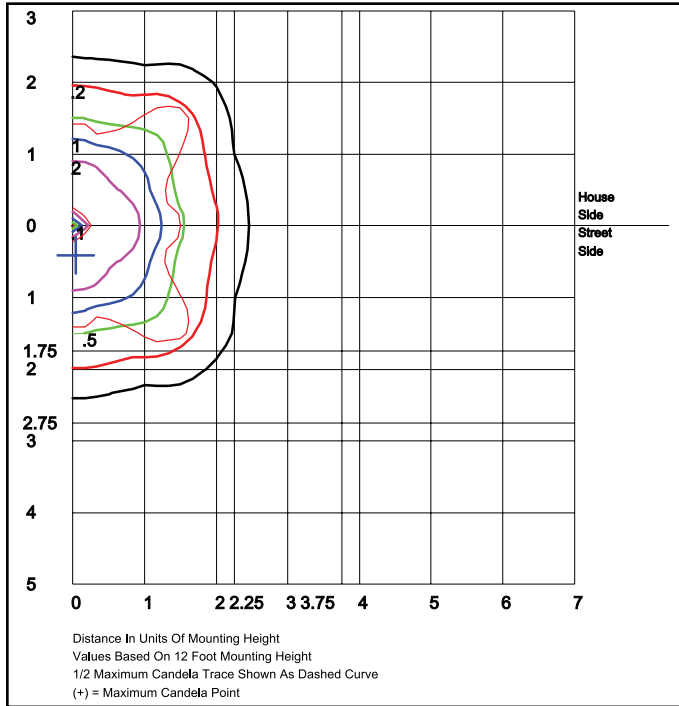
Shaft Base Size	Bolt Circle A	Base Size B	Anchor Bolt Size
Square B4T	Min 8" (204mm); Max 9.25" (234mm)	8.125" x 8.125"	M12 x 15.75"

Specifications subject to change without notice.

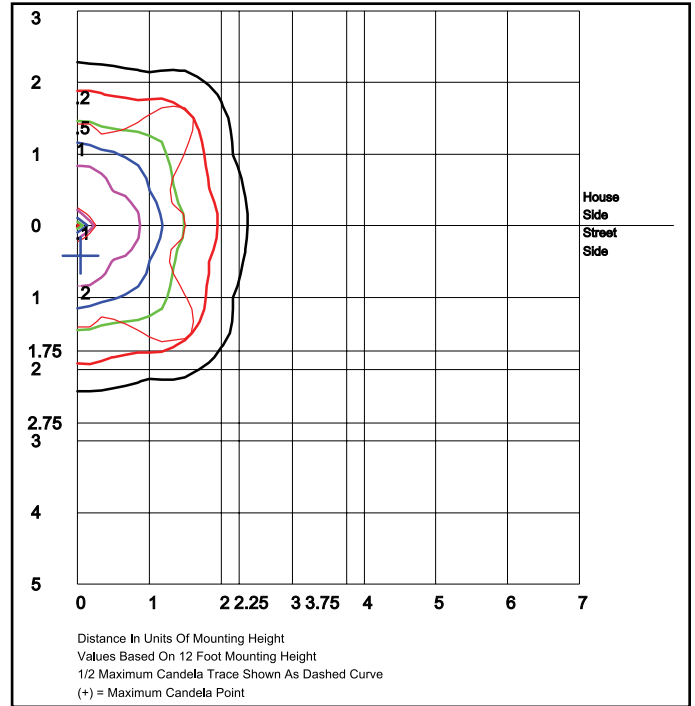
DuraLED Sculptor Round & Square Light Columns



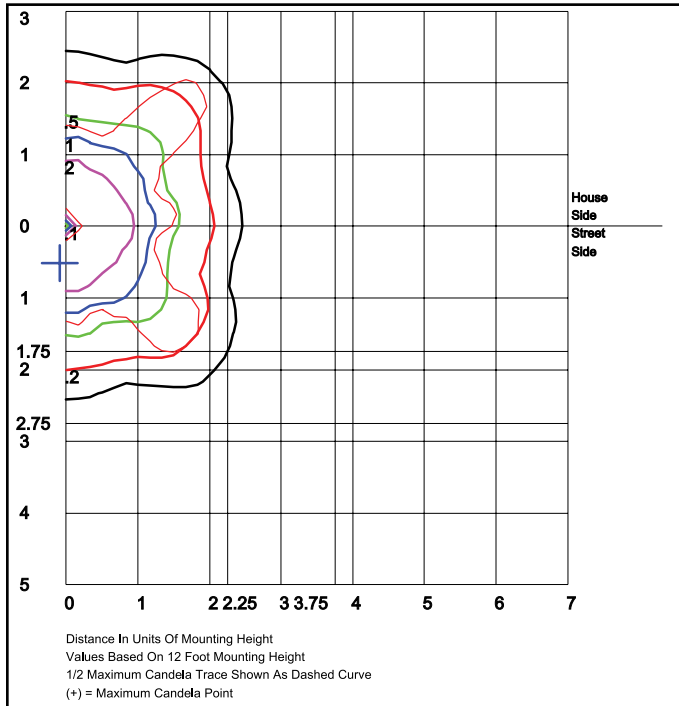
PHOTOMETRIC DATA



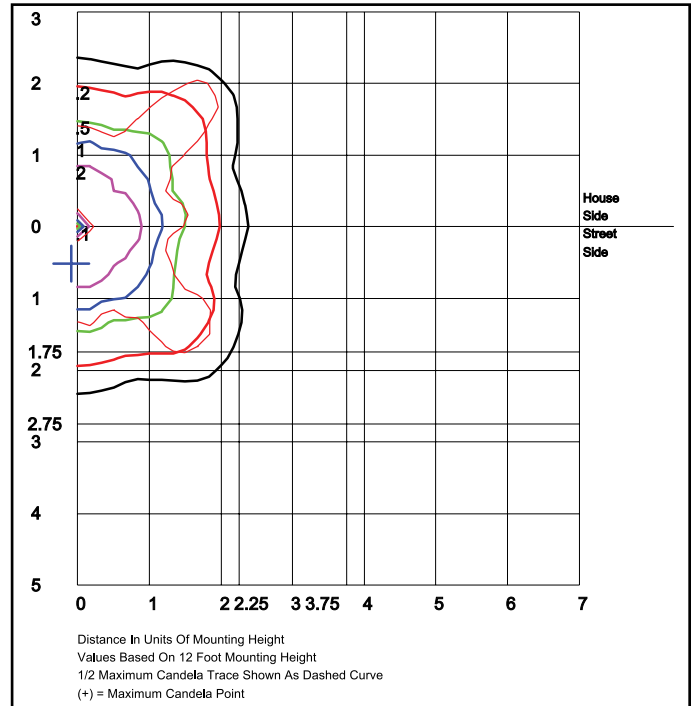
B3TQF1X25U5KC
Type V, Clear Lens
Grid in feet, Mounting Height= 12ft



B3TQF1X25U5KL
Type V, LumaLens
Grid in feet, Mounting Height= 12ft



B4TQF1X25U5KC
Type V, Clear Lens
Grid in feet, Mounting Height= 12ft



B4TQF1X25U5KL
Type V, LumaLens
Grid in feet, Mounting Height= 12ft

DuraLED Sculptor Round & Square Light Columns

DuraGuard
PRODUCTS INC.
A QSSI Company



PHOTOMETRIC PERFORMANCE

Optic	Wattage (Catalog Logic)		16W (1X16)	25W (1X25)
	Input Watts		18.1W	27.2W
	CCT	Delivered Lumens		
B3T with Clear Glass F=Type V Optic	3000K	1,532	2,298	
	4000K	1,662	2,493	
	5000K	1,731	2,597	
	BUG Rating	B1-U3-G1	B1-U3-G1	
B3T with LumaLens F=Type V Optic	3000K	1,343	2,014	
	4000K	1,457	2,185	
	5000K	1,517	2,276	
	BUG Rating	B1-U2-G1	B1-U3-G1	

Optic	Wattage (Catalog Logic)		16W (1X16)	25W (1X25)
	Input Watts		18.1W	27.2W
	CCT	Delivered Lumens		
B4T with Clear Glass F=Type V Optic	3000K	1,604	2,406	
	4000K	1,740	2,610	
	5000K	1,813	2,719	
	BUG Rating	B1-U2-G1	B1-U3-G1	
B4T with LumaLens F=Type V Optic	3000K	1,406	2,109	
	4000K	1,525	2,288	
	5000K	1,589	2,383	
	BUG Rating	B1-U2-G1	B1-U3-G1	

PROJECTED LUMEN MAINTENANCE

Data shown for 5000 CCT		Compare to MH				
TM-21-11	Input Watts	Initial	25,000 Hrs	50,000 Hrs	100,000 Hrs	Calculated LED Life
B3T L70 Lumen Maintenance @ 25°C / 77°F	All wattages up to and including 27w	1.00	0.96	0.92	0.84	187,000
B3T L70 Lumen Maintenance @ 50°C / 122°F		1.00	0.94	0.87	0.74	117,000
B3T L80 Lumen Maintenance @ 40°C / 104°F		1.00	0.97	0.93	0.87	151,000

NOTES:

1. Projected per IESNA TM-21-11. Data references the extrapolated performance projections for the base model in a 25°C ambient, based on 10,000 hours of LED testing per IESNA LM-80-08.
2. Compare to MH box indicates suggested Light Loss Factor (LLF) to be used when comparing to Metal Halide (MH) systems.

Data shown for 5000 CCT		Compare to MH				
TM-21-11	Input Watts	Initial	25,000 Hrs	50,000 Hrs	100,000 Hrs	Calculated LED Life
B4T L70 Lumen Maintenance @ 25°C / 77°F	All wattages up to and including 27w	1.00	0.96	0.92	0.84	187,000
B4T L70 Lumen Maintenance @ 50°C / 122°F		1.00	0.93	0.87	0.73	113,000
B4T L80 Lumen Maintenance @ 40°C / 104°F		1.00	0.97	0.93	0.86	144,000

NOTES:

1. Projected per IESNA TM-21-11. Data references the extrapolated performance projections for the base model in a 25°C ambient, based on 10,000 hours of LED testing per IESNA LM-80-08.
2. Compare to MH box indicates suggested Light Loss Factor (LLF) to be used when comparing to Metal Halide (MH) systems.