

B11TQ DuraLED LED Side Light Column



Project Information	
Project Name: _____	Fixture Type: _____
Complete Catalog #: _____	Date: _____
Comments: _____	

The DuraGuard DuraLED B11TQ Side Light Column provides full cutoff lighting for provide contemporary pedestrian lighting. These fixtures are ideal for retail centers, schools and universities, public transit and airports, park walkways, plazas, office buildings, and medical facilities.

SPECIFICATIONS AND FEATURES:



HOUSING:

Cast and Extruded Aluminum Housing with Flat Top and Die Cast Mounting Base. Optical Windows Can Be on the Same Side or at 180°. Specify Orientation When Ordering. Includes PBR1 Decorative Clamshell Base Cover with Stainless Steel Hardware.

LISTING & RATINGS:

CSA: Listed for Wet Locations, ANSI/UL 1598, 8750
IP66 Sealed LED Compartment.

FINISH:

Textured Architectural Powdercoat Finish Over a Chromate Conversion Coating. Custom Colors Available Upon Request.

LENS:

Clear UV-Stabilized Polycarbonate Vandal-Resistant Lenses. Specify Orientation When Ordering (see Housing Description).

MOUNTING OPTIONS:

Mounts with Four M18 x 15" Anchor Bolts, Included.

DURALED LED:

Aluminum Boards

WATTAGE:

18w: Array: 18w, System: 20.5w

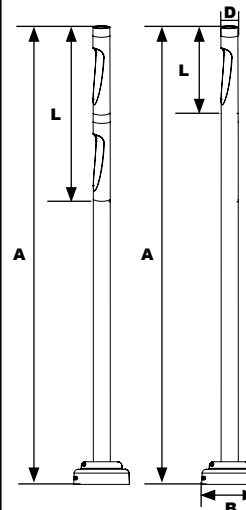
DRIVER:

Electronic Driver, 120-277V, 50/60Hz; Less Than 20% THD and PF>0.90. Standard Internal Surge Protection 2kV. 0-10V Dimming Standard for a Dimming Range of 100% to 10%; Dimming Source Current is 150 Microamps.

WARRANTY:

5-Year Warranty for -40°C to +50°C Environment.

See Page 3 for Projected Lumen Maintenance Table.



Dimensions	
Height (A)	12'-0" (3,048mm) See Cat Logic for Other Heights
Diameter (D)	4 3/4" (120mm)
Mounting Base (B)	8" (205mm) Square
Decorative Round Base Cover (B)	16 3/8" (422mm) Diameter
Light Engine (L)	25" (635mm) Single 50" (1270mm) Double

DuraLED TECHNOLOGY



Specifications subject to change without notice.

B11TQ DuraLED LED Side Light Column



Complete Unit Ordering Information
 Example: **B11TQF2X18U4KCB180LBC**

B11TQ	F		U		C	B			
Model	Optics	Wattage	Driver	CCT	Lens	Color	Height	Orientation	Options
	F=Asymmetric	1X18=18w Single Light Engine 2X18=36w Twin Light Engines	U=120-277V	3K=3000K 4K=4000K 5K=5000K		B=Black	(Leave Blank)= 12' Standard Height 10=10' Height 8=8' Height		LBC=Less Base Cover
<p>B11TQ=DuraLED Side Light Column</p> <p>C=Clear Molded UV-Stabilized Polycarbonate Lens</p> <p>S=Twin Light Engines on Same Side 180=Twin Light Engines @ 180°</p>									

ACCESSORIES & REPLACEMENT PARTS:

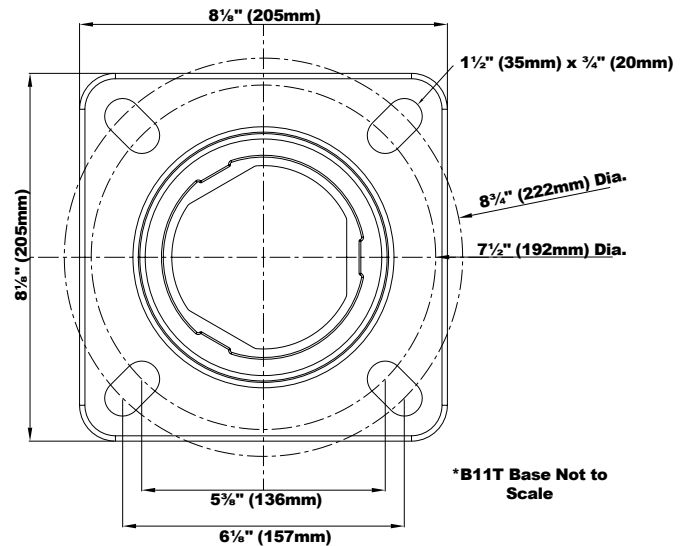
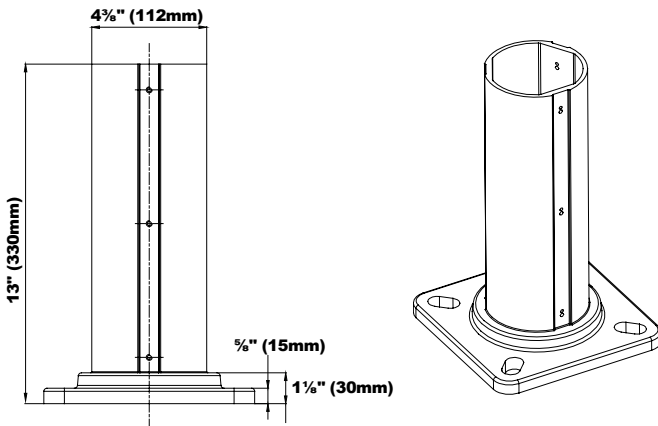
**Replacement Parts
 (Order Separately, Field Installed)**

PBR1B Decorative Clamshell Base Cover, 16 1/2" Diameter, Powdercoat Finish



PBR1B*
 *Shown Mounted

BASE INFORMATION:



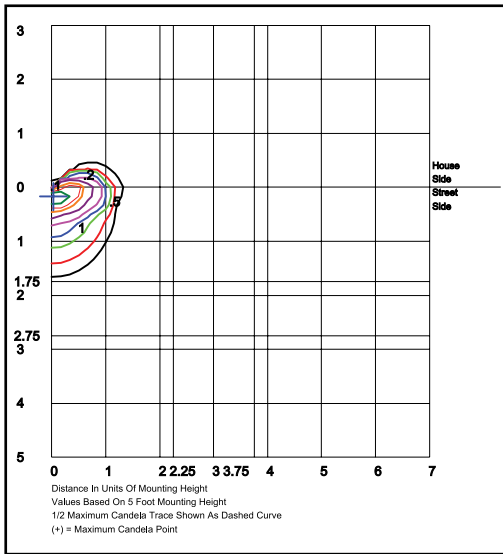
Shaft Base Size	Bolt Circle A	Base Size B	Anchor Bolt Size
B11T	Min 7.5" (192mm); Max 8.75" (222mm)	8.125" x 8.125"	M18 x 15"

Specifications subject to change without notice.

B11TQ DuraLED LED Side Light Column



PHOTOMETRIC DATA



B11TQF2X18U5KC

Grid in feet, Mounting Height = 5 ft.

Note: Photometrics are for one light engine. For lighting design, place two files in desired orientation (same side or at 180°)

PHOTOMETRIC PERFORMANCE

Wattage (Catalog Logic)		18W (2X18)
Input Watts		20.5W
Optic	CCT	Delivered Lumens
F=Asymmetric	3000K	311
	4000K	324
	5000K	337
	BUG Rating	B0-U0-G0

PROJECTED LUMEN MAINTENANCE

Data shown for 5000 CCT		Compare to MH				Calculated LED Life
TM-21-11	Input Watts	Initial	25,000 Hrs	50,000 Hrs	100,000 Hrs	
L70 Lumen Maintenance @ 25°C / 77°F	All wattages up to and including 36w	1.00	0.95	0.90	0.80	147,000
L70 Lumen Maintenance @ 50°C / 122°F		1.00	0.89	0.78	0.55	67,000
L80 Lumen Maintenance @ 40°C / 104°F		1.00	0.92	0.85	0.70	66,000

- NOTES:**
1. Projected per IESNA TM-21-11. Data references the extrapolated performance projections for the base model in a 25°C ambient, based on 10,000 hours of LED testing per IESNA LM-80-08.
 2. Compare to MH box indicates suggested Light Loss Factor (LLF) to be used when comparing to Metal Halide (MH) systems.