



POWER PACK Architectural High Output Full Cutoff Wall Lighting

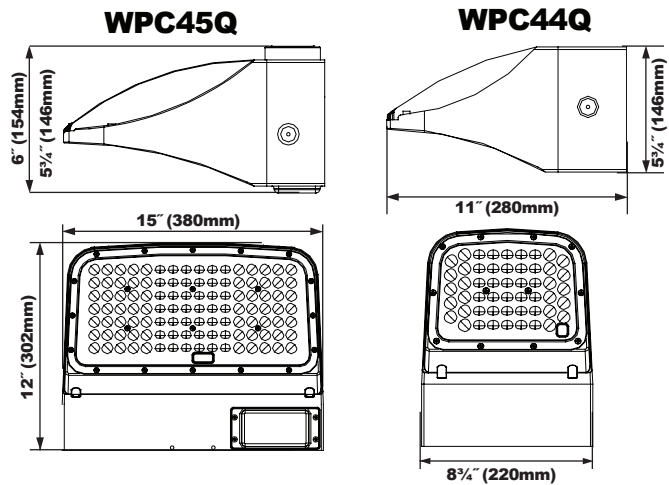


WPC45Q
 93-188 Input Watts
 9,700-21,500 Lumens
 Replaces up to 400w HID



WPC44Q
 25-93 Input Watts
 2,600-9,700 Lumens
 Replaces up to 175w HID

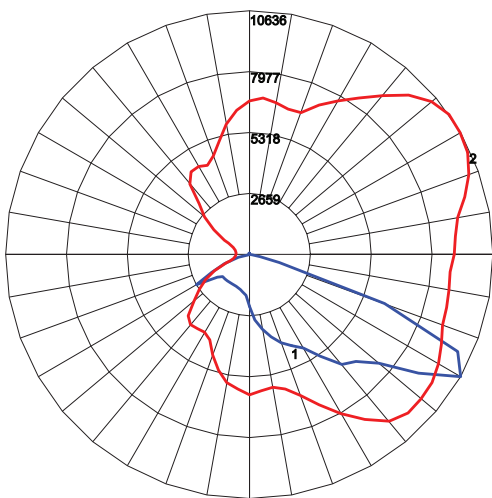
DIMENSIONS



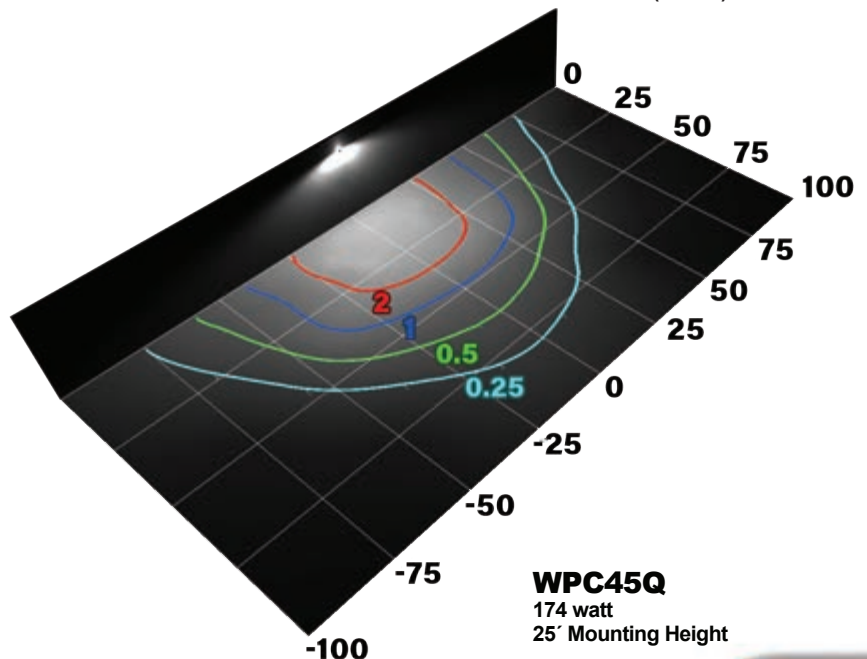
LEDicated

- 2 sizes, 6 wattages replacing 50-1000w HID
- Mounting heights 12 to 40 feet
- IES Forward Throw Type IV Optics
- 1-10V Dimming, 120-277 and 347-480VAC

WPC45Q
 174w, 21,000 Lumens



Efficient High Lumen WPC45 can replace existing 400W MH on a 2 for 1 basis with increased mounting height.



WPC45Q
 174 watt
 25' Mounting Height

KITTY HAWK FAMILY

ARCHITECTURAL AREA, FLOOD & WALL LIGHTING

Uniform Architectural Appearance and Seamless Aesthetic Style



KH55Q
557 Input Watts
50,500-66,500 Lumens
Replaces up to 1,500w HID

KH45Q
177-281 Input Watts
18,000-33,500 Lumens
Replaces up to 1,000w HID

KH25Q
87-120 Input Watts
8,700-15,500 Lumens
Replaces up to 400w HID

KH15Q
24-43 Input Watts
2,560-4,900 Lumens
Replaces up to 175w HID

Versatile, Multiple Optics, Variety of Mounting Options



LED Architectural Wall Cutoff

- 4 sizes, 8 wattages replacing 50-1500w HID
- Mounting heights 16 to 50 feet
- IES Type I, II, III, IV & V Optics
- IP66 Sealed Optics, 3K, 4K, 5K CCT

Mounting Options:



IES LIGHTING DISTRIBUTIONS



Type I

Type II

Type III

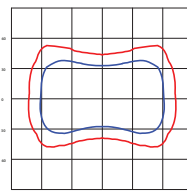


Type IV

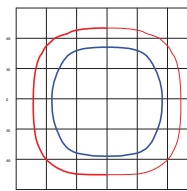


Type V

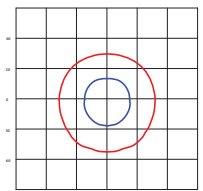
FLOOD LIGHT BEAM OPTIONS



100°H x 70°V
NEMA 7X6



110°H x 100°V
NEMA 7X7



35°H x 35°V
NEMA 4X4