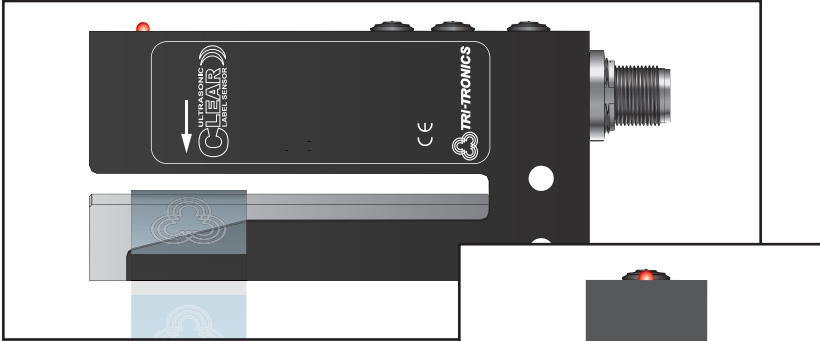


Installation Manual



CLSC-1M8LEX185

1. Position Label



Align Label to Arrow (above)

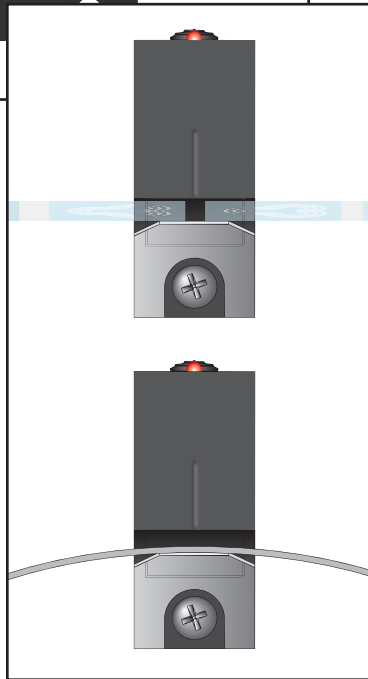
Place the label web so that it is centered on the arrow. The arrow is where the transducers are aligned.

Align Gap to Line (right top)

Place label gap in center of the sensor using the alignment line as shown on right. When viewing from the top of the sensor, use the output LED to center label gap.

Gentle Tension (right bottom)

Place label webbing so that it slides along the bottom of the sensor gap plate. This will ensure a more consistent setup and performance.



2. Setup Instructions

Once the Gap is in view, press and hold the AUTOSET/GAP button for two seconds. This will result in a stable setup most every time. If you have any false triggers, put the Label in view, push and hold the AUTOSET/LABEL button for two seconds. This two-point setup will create a new threshold setting resulting in a more consistent signal span between web and label.

Note: Manual adjust by tapping arrows.

MULTI-FUNCTION OUTPUT INDICATOR

1. Illuminates when outputs are ON.
Note: Flashes when short circuit is detected.
2. Rapid flash indicates AUTOSET start (wait two seconds to complete).
3. Single flash during manual adjust.

AUTOSET/GAP Δ BUTTON

1. Push and Hold with gap in view for two seconds for AUTOSET.
2. Tap for UP to lower threshold.

AUTOSET/LABEL ∇ BUTTON

1. Push and Hold with label in view after GAP AUTOSET on rare occasions when labels have multiple layers.
2. Tap DOWN to increase threshold.

LT/DK Toggle
Light / Dark output toggle (inverts output).

Specifications



SUPPLY VOLTAGE

- 12 to 30 VDC
- Polarity Protected
- Note: For use in Class 2 Circuits*

CURRENT REQUIREMENTS

- 95mA @ 12 VDC, 45mA @ 30 VDC

DIGITAL OUTPUTS

- (1) NPN and (1) PNP open collector output 150mA Max; <2V Residual Voltage
- All outputs are continuously short circuit protected

DIAGNOSTIC INDICATOR

- Illuminates when when outputs are ON.
- Note: Flashes when short circuit is detected.*
- Rapid flash indicates AUTOSET start (wait two seconds to complete).
- Single flash during manual adjust.

PUSHBUTTON CONTROL

- Three (3) push button controls
- Gap (for Gap AUTOSET)
- Label (for multi-layered labels)
- LT/DK= Light / Dark toggle

HYSTERESIS

- Dynamic – adjusted by AUTOSET

RESPONSE TIME

- 200µs

REPEATABILITY

- 125µs

AMBIENT TEMPERATURE

- 4°C to 50°C (39°F to 122°F)

RUGGED CONSTRUCTION

- Chemical resistant, high impact Aluminum housing
- Waterproof ratings: IP65
- Conforms to heavy industry grade CE requirements



THRESHOLD SET

- 1-Point, 2-Point.

THRESHOLD ADJUST

- Manual Adjust

CONNECTOR

- M8 4-Pin

RoHS Compliant

Product subject to change without notice

Connections and Dimensions

Ultrasonic Clear Label Sensor X185

