

DRTS Round Tapered Steel Poles



Project Information

Project Name:	Fixture Type:
Complete Catalog #:	Date:
Comments:	

The DuraGuard DRTS Series Round Tapered Steel poles are built from high strength steel tube and are available side drilled for arm mounted area lighting luminaires or with tenon mounts for flood and post top luminaires. Typical area lighting applications include retail centers, industrial parks, schools and universities, public transit and airports, office buildings and medical facilities. Mounting heights of 15 to 25 feet can be used based on selected luminaire application.

SPECIFICATIONS AND FEATURES:

POLE SPECIFICATIONS:

Conforms to ASTM-A 500 Grade B: Minimum Yield Strength of 46,000 PSI. Wall Thickness 11 Gauge (.120").

FINISH:

Textured Architectural Black or Bronze Powdercoat Finish, Baked to Ensure Maximum Paint Adhesion, Hardness and Durability.

ANCHOR BOLTS:

Anchor Bolts are Included, Sized Based on Pole Data Charts for the Selected Pole Size.

HAND HOLE:

Cast Iron Reinforced Hand Hole and Cover with Ground Screw.

BASE COVER:

Poles are Provided With a Two-Piece Formed Steel Base Cover that is Easily Assembled and Fitted Over Pole Base.

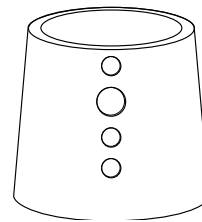
POLE LENGTH:

Poles are Available in Standard Lengths as Shown in the Order Matrix.

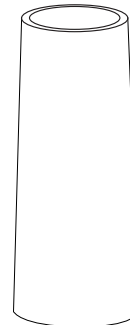
MOUNTING OPTIONS:

Standard Length Poles Include Side Drilled 2@180°, UV-Stabilized Polycarbonate Top Cover and Hole Plugs for Unused Drilling Locations.

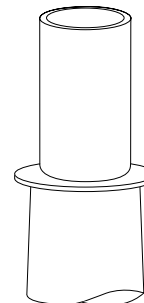
Poles Can Be Side Drilled for 3@120° For 2@90°, 3@90°, or 4@90°, a PTASUNV (Z, B) Must Be Ordered with P2 Tenon on Pole, Includes Hole Plugs for Unused Drilling Locations.



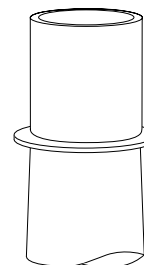
Side Drills:
2 at 180°



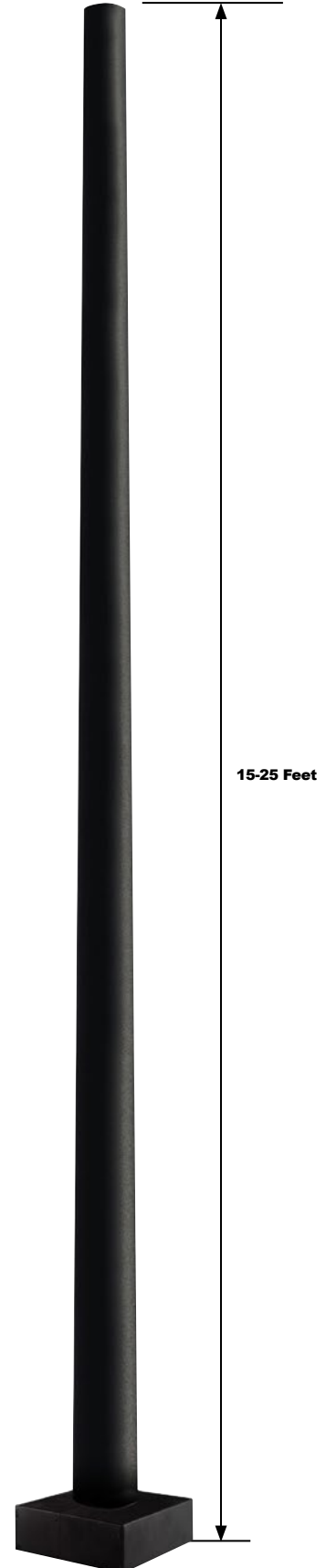
Round Tapered
Taper Rate=0.14"/FT



P2S
2 3/8" x 4" Tenon



P3S
2 3/8" x 3" Tenon



Specifications subject to change without notice.

DRTS Round Tapered Steel Poles



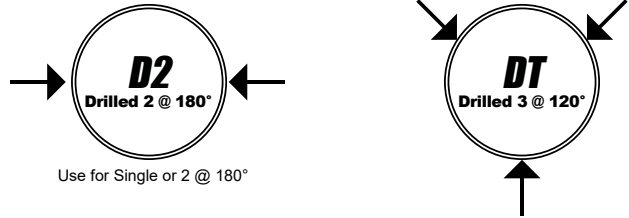
Complete Units Ordering Information
 Example: **DRTS20572911ZP2**

DRTS Round Tapered Steel Poles

DRTS	Model	Height/Shaft/Gauge (Pick One)	Color	Pole Top Mounting	Drill Template	Options
DRTS =Tapered Round Steel Pole	15502911 =15', 5.0" Base x 2.9" Top, 11 Ga. 20572911 =20', 5.7" Base x 2.9" Top, 11 Ga. 25642911 =25', 6.4" Base x 2.9" Top, 11 Ga.	Z =Bronze (1) B =Black (2)	D2 =Drilled 2 Sides at 180° with Plugs (3) (Use for Single & 2 @ 180° Mounting) DT =Drilled 3 Sides at 120° with Plugs (3) P0 =Pole Top as 2.9" O.D Tenon (4) P2 =Steel 2½ x 4"H Tenon (5) P3 =Steel 2½ x 3"H Tenon (5)	(Leave Blank) =Poles with P0, P2 or P3 Tenon S =Standard Arm/Accessories, For FLEM Arm Mount (6) D =Kitty Hawk Arm KH25 (6) E =Kitty Hawk Arm KH45 (6) C =Custom (Specify)	(Leave Blank) =No Options LAB =Less Anchor Bolts (7) LBC =Less Base Cover (7) PAB =Preship Anchor Bolts (8)	

- NOTES:**
- (1) 20 ft and 25 ft models
 - (2) 15 ft and 20 ft models
 - (3) Includes black plastic pole cap. Note that DRTS Poles come drilled for both D and E Drill Template option in a single universal pattern
 - (4) Pole top may be used as tenon mount for fixtures that fit to P3 Tenons.
 - (5) Tenon mounted to pole with 2 bolts
 - (6) See Arm Template Diagrams for dimensions and fixture series that apply.
 - (7) All poles include anchor bolts standard, consult dimension table for size based on pole dimensions
 - (8) Pole must be ordered to select this option (not available for accessory parts anchor bolt orders)

POLE TOP MOUNTING :



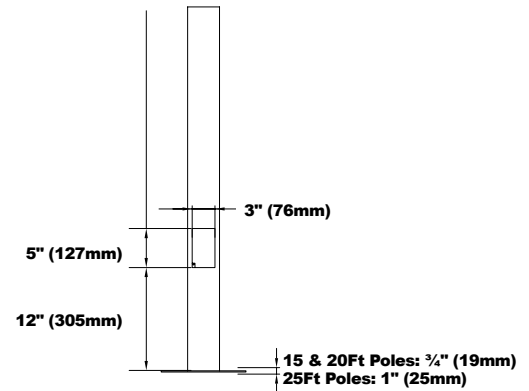
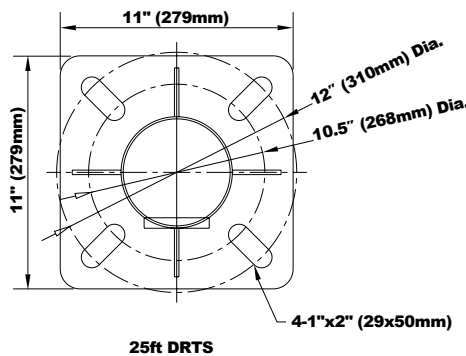
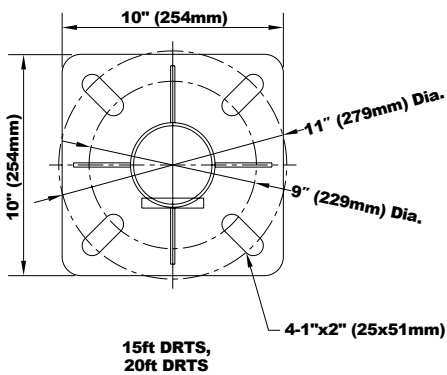
Default Pole Catalog #: **DRTS(Height/Shaft/Gauge)(Color)P0**

WIND LOADING AND DIMENSIONAL DATA:

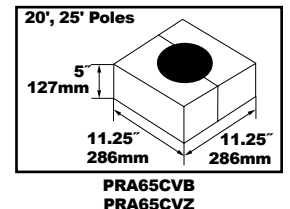
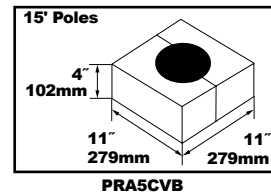
Pole Description				90 MPH		100 MPH		110 MPH		120 MPH		130 MPH		140 MPH		Structure Weight (LBS)	
Catalog Logic	Mounting Height	Base O.D. (Inches)	Top O.D. (Inches)	Wall Thickness (Gauge)	Max Weight (LBS)	Max EPA (SQ FT)	Max Weight (LBS)	Max EPA (SQ FT)	Max Weight (LBS)	Max EPA (SQ FT)	Max Weight (LBS)	Max EPA (SQ FT)	Max Weight (LBS)	Max EPA (SQ FT)			
15502911	15'	5.0"	2.9"	11"	17.3	433	14.2	355	11.8	294	10.0	319	8.7	218	7.8	194	103
20572911	20'	5.7"	2.9"	11"	11.9	296	9.8	244	8.0	201	6.8	191	5.8	145	5.0	124	145
25642911	25'	6.4"	2.9"	11"	8.1	203	6.7	167	5.5	137	4.6	115	3.8	96	3.2	79	187

- NOTES:**
1. Maximum EPA (Effective Projected Area) and weight values are based on AASHTO 2009 LTS-5.
 2. Consult factory on loading criteria for pole top mounted luminaires and/or brackets.
 3. Variations from sizes above are available upon inquiry at the factory.
 4. Satisfactory performance of poles is dependent upon the pole being properly attached to a supporting foundation of adequate design.
 5. Structure weight is a nominal value which includes the pole shaft and base plate only.

POLE DATA:



Shaft Base Size	Bolt Circle A	Base Size B	Base Thickness C	Bolt Projection	Anchor Bolt Size
15 Ft, 11 Gauge	9"-11" (229-279mm)	10" (254mm)	¾"	4"	M20 x 27½"
20 Ft, 11 Gauge	9"-11" (229-279mm)	10" (254mm)	¾"	4"	M20 x 27½"
25 Ft, 11 Gauge	11"-12" (279-305mm)	11" (279mm)	1"	4"	M22 x 33"



Specifications subject to change without notice.

DRTS Round Tapered Steel Poles



Project Information	
Project Name: _____	Fixture Type: _____
Complete Catalog #: _____	Date: _____
Comments: _____	

PB Series (15Ft DRTS Only) **Cast Aluminum Decorative Clamshell Bases**

Decorative Clamshell Bases are designed to create a clean decorative look and cover pole base anchoring hardware. Two styles are available in matching finish to coordinate with pole selection.

SPECIFICATIONS AND FEATURES:

CLAMSHELL BASES:

Die cast aluminum, Stainless Steel Hardware. PBR1 and PBS1 include sets of inserts that allow use on 15ft DRTS Round Tapered Steel Pole only. **Does not fit 20 or 25ft Poles.**

FINISH:

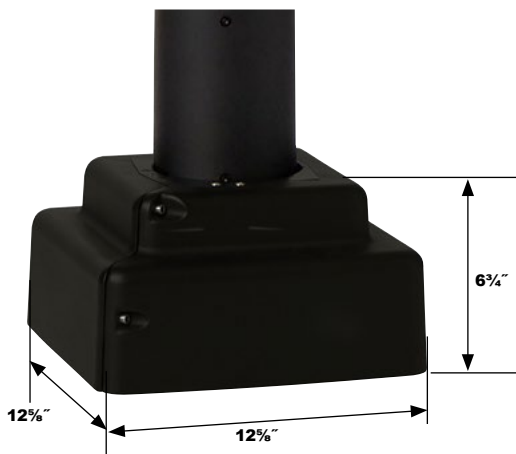
Textured architectural powdercoat finish, baked to ensure maximum paint adhesion, hardness and durability.

POLE FIT:

Bases are designed to fit poles based on dimensions shown.



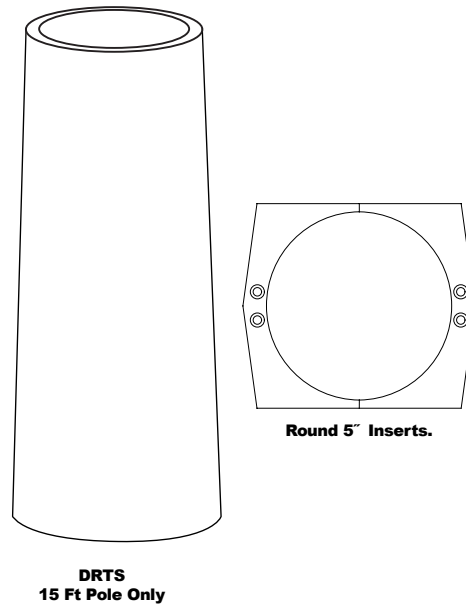
PBR1



PBS1

Complete Units Ordering Information
Example: **PBR1B**

Model	Color
PBR1 =Round Base	B =Black
PBS1 =Square Base	C =Custom (Consult Factory)



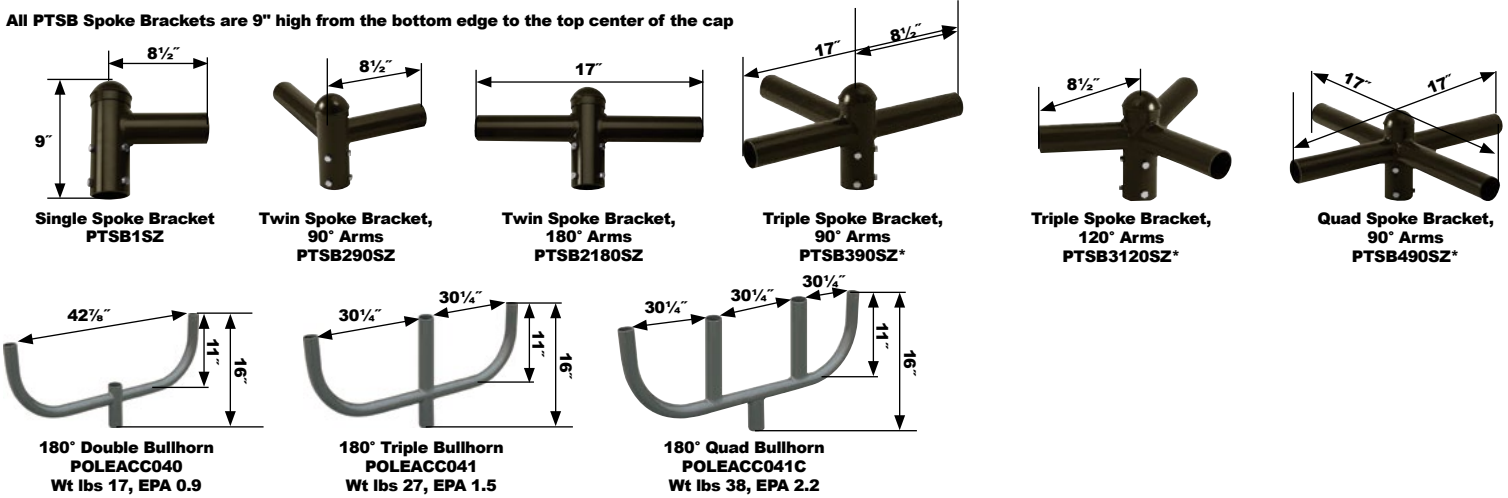
DRTS Round Tapered Steel Poles



Round Tapered Steel Pole Mounting Options ORDER SEPARATELY, FIELD INSTALLED.

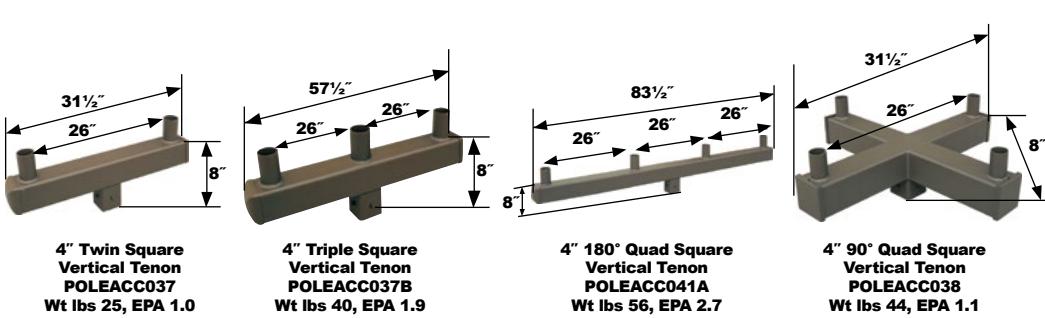
SPOKE BRACKETS AND BULLHORNS: Bronze Finish, Spoke Bracket have 7" Arms. Fit 2 1/2" (P2) Tenons.

All PTSB Spoke Brackets are 9" high from the bottom edge to the top center of the cap

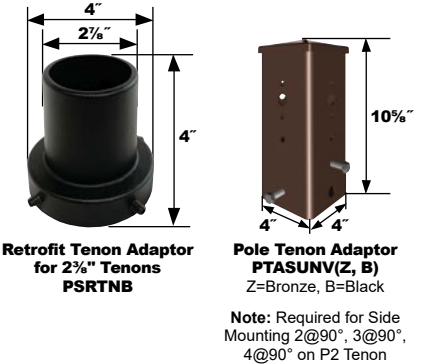


*Non-stock item. Consult factory for lead time.

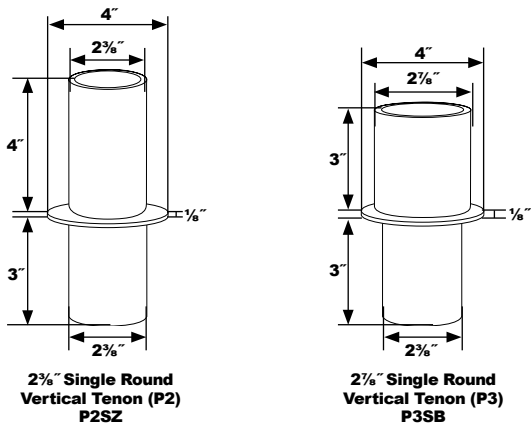
VERTICAL TENON POLE TOP FITTERS: 4" High Vertical Tenons, Bronze Finish, Fit 2 1/2" (P2) Tenons



TENON ADAPTORS: Fit 2 1/2" (P2) Tenons



VERTICAL TENON POLE TOP FITTERS:



FITS DRTS POLES

REPLACEMENT PARTS

Replacement Parts (Order Separately, Field Installed)	
P2SZ	P2 Steel Tenon, Bolt in with 2 Bolts Bronze Finish
P3SB	P3 Steel Tenon, Bolt in with 2 Bolts Black Finish
DRTS35CB	Top Cap for Round Tapered Steel Poles, Plastic, 3.5" Dia.
PRA5CVB	15Ft DRTS Pole Square Formed Aluminum 2-Piece Base, Black Finish
PRA65CVB	20 & 25Ft DRTS Pole Square Formed Aluminum 2-Piece Base, Black Finish
PRA65CVZ	20 & 25Ft DRTS Pole Square Formed Aluminum 2-Piece Base, Bronze Finish
PAB34X30	Anchor Bolt for DRTS 15Ft and 20Ft Pole
PAB1X36	Anchor Bolt for DRTS 25Ft Pole

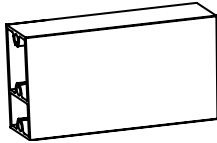


PRA5CVB, PRA65CVB, PRA65CVZ

Specifications subject to change without notice.

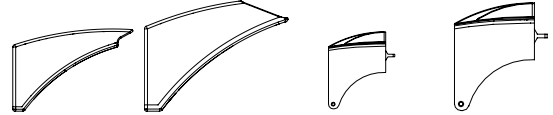
Pole Drill Templates

For Use with FLEM Arms

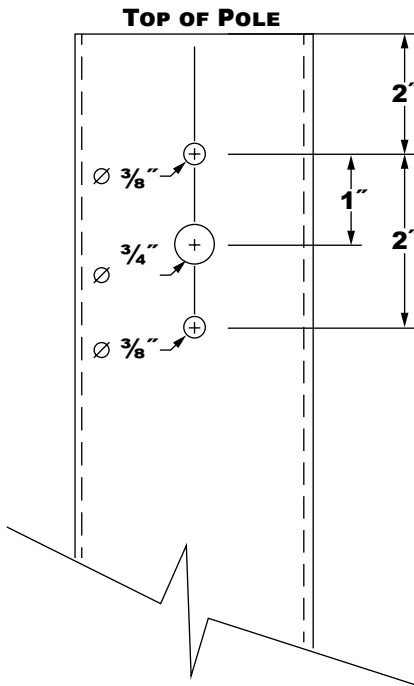


Standard

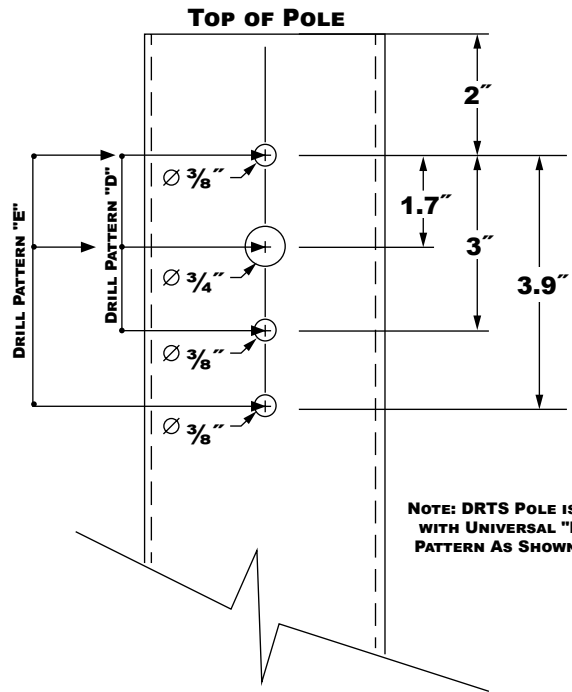
**For Use with
 KH25, KH45, AF*20, AF*30 Arms**



DRILL PATTERN	AF*20	AF*30	KH25	KH45
	D	D	D	E



POLE DRILL PATTERN "S"
FOR FIXTURE SERIES:
AL35, 12AL, 16AL



**NOTE: DRTS POLE IS DRILLED
 WITH UNIVERSAL "D" & "E"
 PATTERN AS SHOWN 2@180°**

POLE DRILL PATTERN "D"
FOR FIXTURE SERIES:
**KH15, KH25, AD25,
 KH40, AFR20, AFS20,
 AFR30, AFS30**

POLE DRILL PATTERN "E"
FOR KH45 SERIES

For DRTS Poles

NOT TO SCALE.