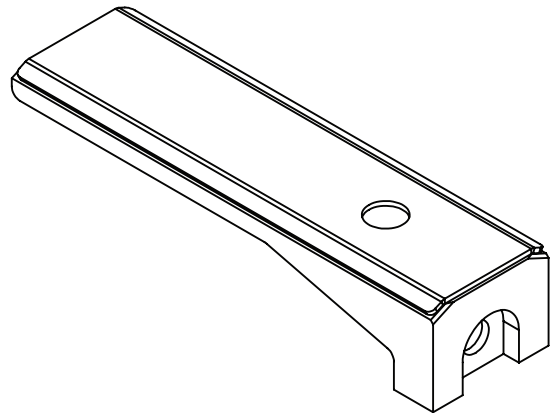
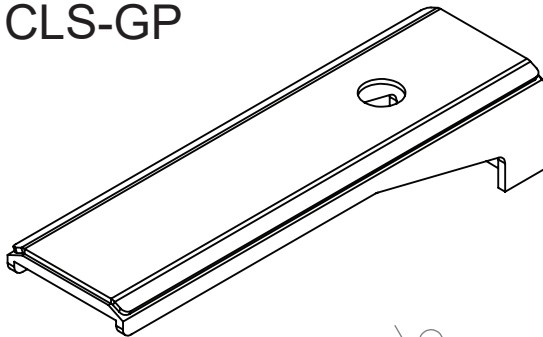
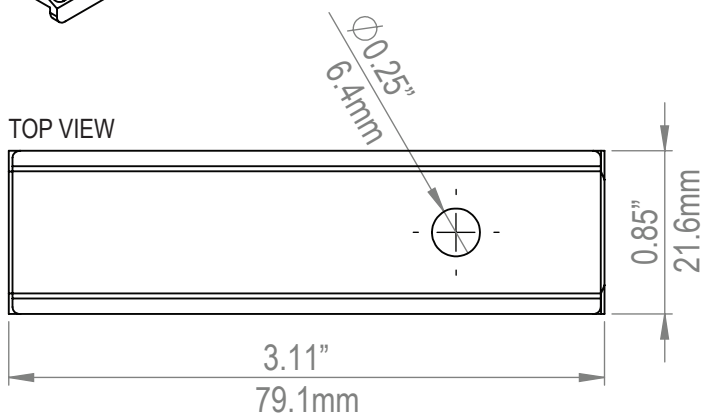
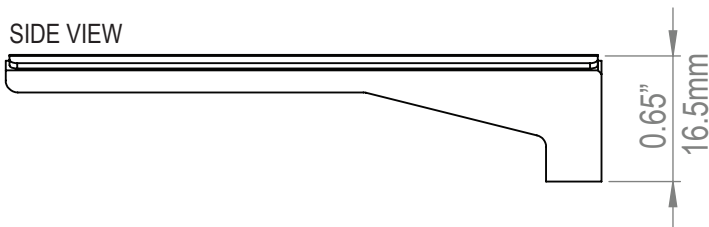
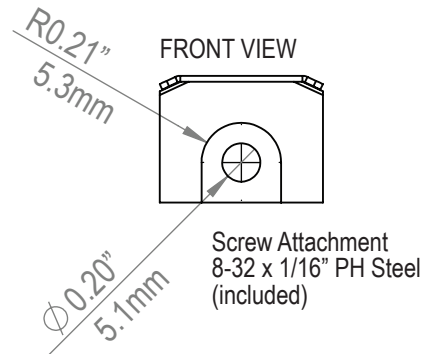


CLS-GP

TOP VIEW


Wear Plate:
Stainless Steel #8 Mirror Finish

Gap Plate:
6061 Aluminum
Thickness 22 guage (.031)

SIDE VIEW

FRONT VIEW


Screw Attachment
8-32 x 1/16" PH Steel
(included)

BOTTOM VIEW
