

Technical data sheet Stationary 2D-code reader

Part no.: 50136773

DCR55M2/UB-1800-S6

Contents

- Technical data
- Dimensioned drawings
- Electrical connection
- Diagrams
- Notes



Figure can vary



Technical data

Basic data

Series	DCR 55
--------	--------

Functions

Software functions	Reading of 1D codes
	Reading of 2D codes

Read data

Code types, readable	2/5 Hong Kong
	2/5 Interleaved
	2/5 NEC
	2/5 Straight
	Australian Post
	Aztec
	BC412
	Canada Post
	Codabar
	Codablock F
	Code 11
	Code 128
	Code 32
	Code 39
	Code 49
	Code 93
	Data Matrix Code
	EAN/UPC
	GS1 Databar
	HanXin
	Intelligent Mail
	Japan Post
	KIX Code
	Korea Post
	QR code

Optical data

Reading distance	30 ... 425 mm
LED group	Exempt group (in acc. with EN 62471:2008)
Camera resolution, horizontal	1,280 px
Camera resolution, vertical	960 px
Modulus size	0.127 ... 0.528 mm

Electrical data

Performance data

Supply voltage U_B	4.75 ... 5.25 V, DC
Current consumption, max.	425 mA

Interface

Type	USB
------	-----

USB

Function	Process
Specification	USB 2.0
Operating mode	COM port emulation
	Keyboard emulation

Connection

Number of connections	1 Piece(s)
-----------------------	------------

Connection 1

Function	Data interface
	Voltage supply
Type of connection	Cable with USB-connector
Cable length	1,800 mm
Sheathing material	PUR
Cable color	Black

Mechanical data

Design	Cubic
Dimension (W x H x L)	31.5 mm x 20 mm x 40.3 mm
Housing material	Metal
Metal housing	Diecast aluminum
Lens cover material	Plastic
Net weight	89 g
Housing color	Red
	Silver
Type of fastening	Mounting thread

Operation and display

Type of display	LED
Type of configuration	Software

Environmental data

Ambient temperature, operation	0 ... 50 °C
Ambient temperature, storage	-20 ... 60 °C
Relative humidity (non-condensing)	10 ... 90 %

Certifications

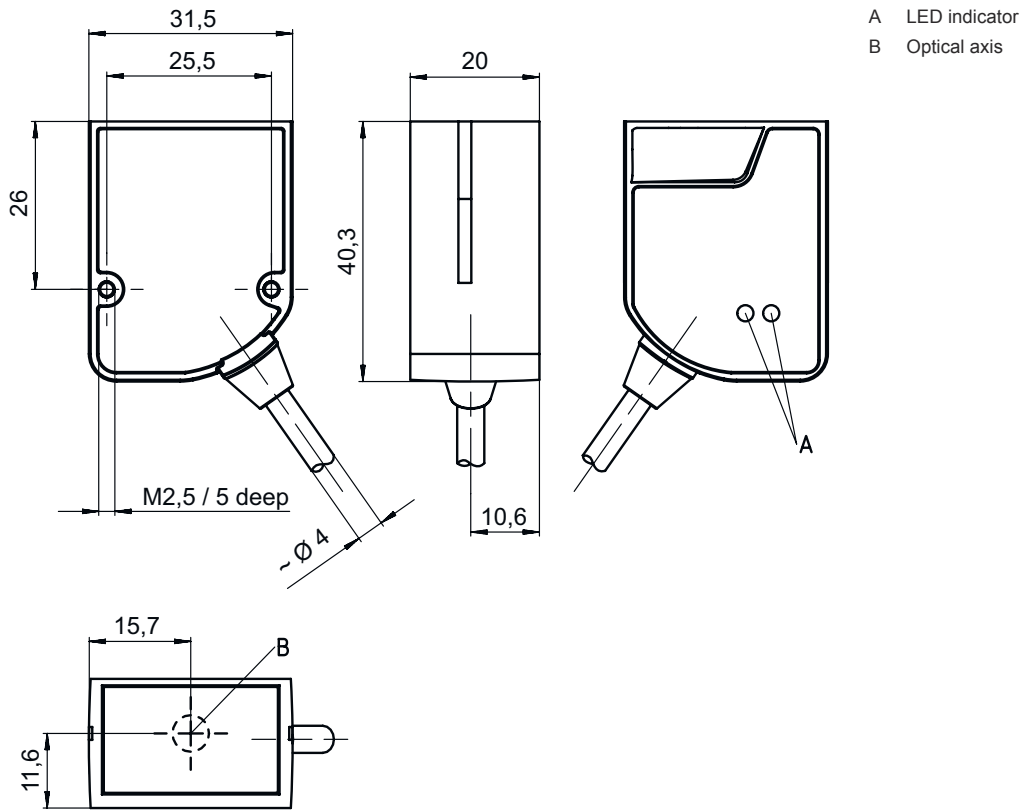
Degree of protection	IP 54
Certifications	c UL US
	FCC
	RoHS
Test procedure for EMC in accordance with standard	EN 61326-1

Classification

Customs tariff number	84719000
ECLASS 5.1.4	27280103
ECLASS 8.0	27280103
ECLASS 9.0	27280103
ECLASS 10.0	27280103
ECLASS 11.0	27280103
ECLASS 12.0	27280103
ECLASS 13.0	27280103
ETIM 5.0	EC002550
ETIM 6.0	EC002999
ETIM 7.0	EC002999
ETIM 8.0	EC002999

Dimensioned drawings

All dimensions in millimeters

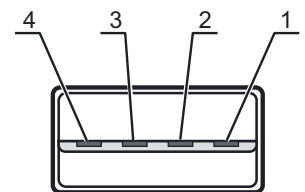


Electrical connection

Connection 1

Function	Data interface Voltage supply
Type of connection	Cable with USB-connector
Cable length	1,800 mm
Sheathing material	PUR
Cable color	Black
Connector type	USB 2.0 Standard-A

Pin	Pin assignment
1	V+
2	DATA-
3	DATA+
4	GND



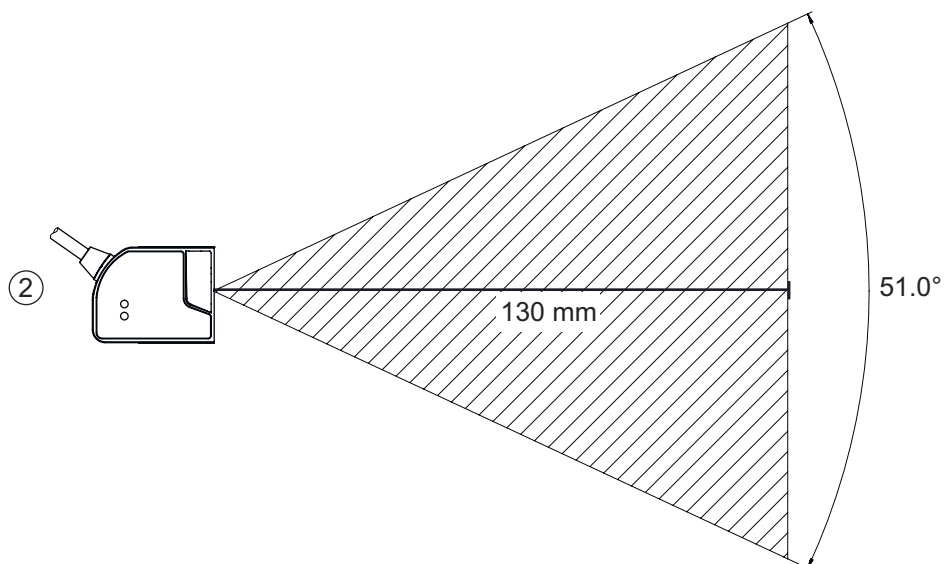
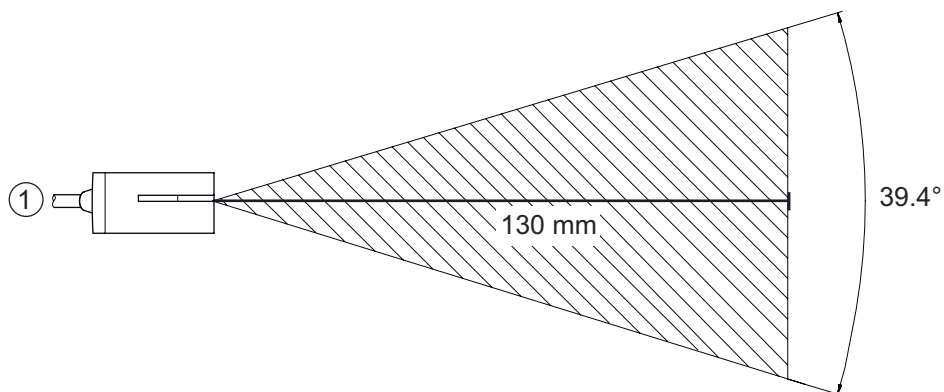
Diagrams

Reading distances

A	B	
Code 39 / 0,190mm (7,5mil)	50 (2,0)	245 (9,6)
GS1 Databar / 0,267mm (10,5mil)	35 (1,4)	225 (8,9)
UPC / 0,330mm (13mil)	40 (1,5)	370 (14,6)
PDF417 / 0,147mm (5,8mil)	85 (3,3)	155 (6,1)
PDF417 / 0,170mm (6,7mil)	65 (2,6)	175 (6,9)
Data Matrix / 0,127mm (5mil)	75 (3,0)	90 (3,5)
Data Matrix / 0,160mm (6,3mil)	70 (2,8)	135 (5,3)
Data Matrix / 0,254mm (10mil)	50 (2,0)	205 (8,1)
Data Matrix / 0,528mm (20,8mil)	30 (1,2)	425 (16,7)

A Code type / resolution mm
 B Reading distance [mm] ([inch])

Reading field



1 Reading field, lateral
 2 Reading field, top view

Notes



Observe intended use!



- ⌘ This product is not a safety sensor and is not intended as personnel protection.
- ⌘ The product may only be put into operation by competent persons.
- ⌘ Only use the product in accordance with its intended use.