

Technical data sheet

Smart camera

Part no.: 50142214

IPS 408i FIX-F2-102-I3-G

Contents

- Technical data
- Dimensioned drawings
- Electrical connection
- Diagrams
- Operation and display
- Part number code
- Notes
- Accessories



Figure can vary



Technical data

Basic data

| | |
|-------------|--|
| Series | IPS 400i |
| Application | Double compartment depth Single compartment depth |

Functions

| | |
|--------------------|------------------------------|
| Software functions | Compartment fine positioning |
|--------------------|------------------------------|

Optical data

| | |
|-------------------------------|------------------|
| Working range | 250 ... 1,900 mm |
| Light source | LED, Infrared |
| Transmitted-signal shape | Pulsed |
| Camera resolution, horizontal | 1,280 px |
| Camera resolution, vertical | 960 px |
| Marker size (round) | 13 ... 15 mm |
| Electronic shutter speed | 0.068 ... 5 ms |
| Camera type | Monochrome |

Measurement data

| | |
|---------------------------|---|
| Reproducibility (1 sigma) | 0.2 mm, (Compartment depth 2: 0.5 mm) depending on the application |
|---------------------------|---|

Electrical data

| | |
|--------------------|---|
| Protective circuit | Polarity reversal protection Short circuit protected |
|--------------------|---|

Performance data

| | |
|---------------------------|-----------------|
| Supply voltage U_B | 18 ... 30 V, DC |
| Average power consumption | 8 W |

Inputs

| | |
|------------------------------------|------------|
| Number of digital switching inputs | 3 Piece(s) |
|------------------------------------|------------|

Switching inputs

| | |
|--------------|-------------------------|
| Type | Digital switching input |
| Voltage type | DC |

Outputs

| | |
|-------------------------------------|------------|
| Number of digital switching outputs | 5 Piece(s) |
|-------------------------------------|------------|

Switching outputs

| | |
|-------------------------|--------------------------|
| Type | Digital switching output |
| Voltage type | DC |
| Switching current, max. | 100 mA |

Switching output 1

| | |
|---------------------|-----------------|
| Switching principle | +24 V switching |
|---------------------|-----------------|

Switching output 2

| | |
|---------------------|-----------------|
| Switching principle | +24 V switching |
|---------------------|-----------------|

Switching output 3

| | |
|---------------------|-----------------|
| Switching principle | +24 V switching |
|---------------------|-----------------|

Switching output 4

| | |
|---------------------|-----------------|
| Switching principle | +24 V switching |
|---------------------|-----------------|

Switching output 5

| | |
|---------------------|-----------------|
| Switching principle | +24 V switching |
|---------------------|-----------------|

Interface

| | |
|------|----------|
| Type | Ethernet |
|------|----------|

Ethernet

| | |
|-----------------------|-----------------------------------|
| Architecture | Client Server |
| Address assignment | DHCP Manual address assignment |
| Transmission speed | 10 Mbit/s 100 Mbit/s |
| Function | Process |
| Switch functionality | None |
| Transmission protocol | TCP/IP, UDP |

Service interface

| | |
|------|----------|
| Type | Ethernet |
|------|----------|

Ethernet

| | |
|----------|---------|
| Function | Service |
|----------|---------|

Connection

| | |
|-----------------------|------------|
| Number of connections | 2 Piece(s) |
|-----------------------|------------|

Connection 1

| | |
|--------------------|---|
| Function | Signal IN Signal OUT Voltage supply |
| Type of connection | Connector |
| Thread size | M12 |
| Type | Male |
| Material | Metal |
| No. of pins | 12 -pin |
| Encoding | A-coded |

Connection 2

| | |
|--------------------|---|
| Function | Configuration interface Data interface |
| Type of connection | Connector |
| Thread size | M12 |
| Type | Female |
| Material | Metal |
| No. of pins | 4 -pin |
| Encoding | D-coded |

Mechanical data

| | |
|-----------------------|---|
| Design | Cubic |
| Dimension (W x H x L) | 43 mm x 61 mm x 44 mm |
| Housing material | Metal Plastic |
| Metal housing | Diecast aluminum |
| Plastic housing | PC |
| Lens cover material | Glass |
| Net weight | 124 g |
| Housing color | Silver |
| Type of fastening | Mounting thread Via optional mounting device |

Technical data

Operation and display

| | |
|-------------------------------------|---------------------|
| Type of display | LED |
| Number of LEDs | 9 Piece(s) |
| Type of configuration | Configuration codes |
| | Teach-in |
| | Via web browser |
| Operational controls | Button(s) |
| Function of the operational control | Adjustment mode |
| | Auto-setup |

Environmental data

| | |
|------------------------------------|---------------|
| Ambient temperature, operation | 0 ... 50 °C |
| Ambient temperature, storage | -20 ... 70 °C |
| Relative humidity (non-condensing) | 90 % |

Certifications

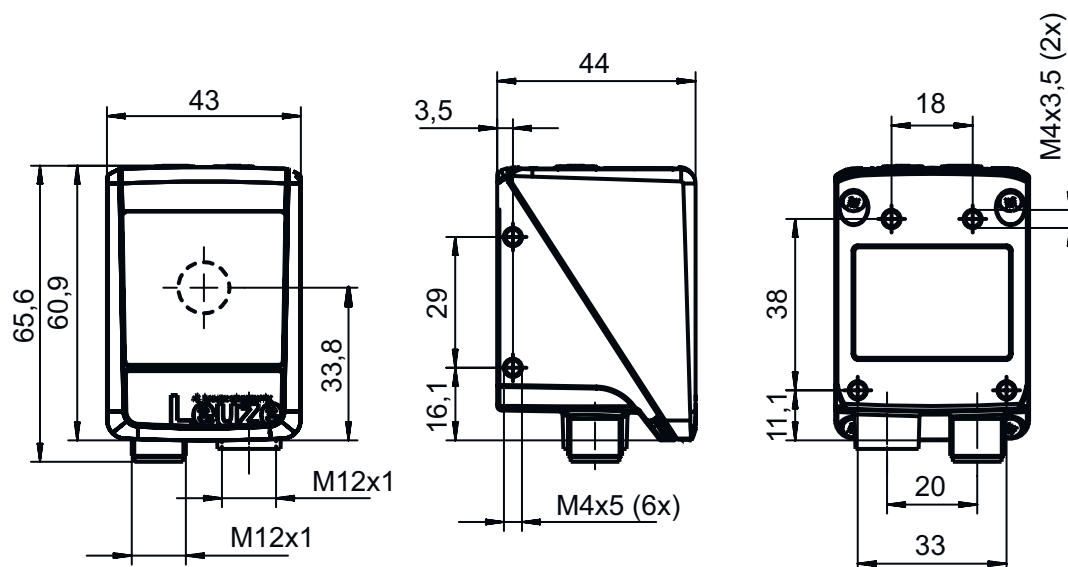
| | |
|---|------------------------------|
| Degree of protection | IP 65 |
| Protection class | III |
| Certifications | c UL US |
| Test procedure for EMC in accordance with standard | EN 61000-6-2 EN 61000-6-4 |
| Test procedure for continuous shock in accordance with standard | IEC 60068-2-29, test Eb |
| Test procedure for vibration in accordance with standard | IEC 60068-2-6, test Fc |

Classification

| | |
|-----------------------|----------|
| Customs tariff number | 84719000 |
| ECLASS 5.1.4 | 27310101 |
| ECLASS 8.0 | 27310101 |
| ECLASS 9.0 | 27310201 |
| ECLASS 10.0 | 27310101 |
| ECLASS 11.0 | 27310101 |
| ECLASS 12.0 | 27310101 |
| ECLASS 13.0 | 27310101 |
| ETIM 5.0 | EC002550 |
| ETIM 6.0 | EC002550 |
| ETIM 7.0 | EC002550 |
| ETIM 8.0 | EC002550 |

Dimensioned drawings

All dimensions in millimeters



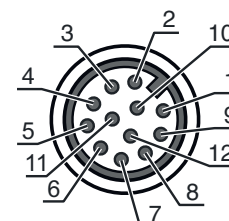
Electrical connection

Connection 1

PWR / SWI / SWO

| | |
|---------------------------|---|
| Function | Signal IN Signal OUT Voltage supply |
| Type of connection | Connector |
| Thread size | M12 |
| Type | Male |
| Material | Metal |
| No. of pins | 12 -pin |
| Encoding | A-coded |

| Pin | Pin assignment |
|-----|----------------|
| 1 | VIN |
| 2 | GND |
| 3 | SWIN 1 |
| 4 | SWOUT 2 |
| 5 | FE |
| 6 | n.c. |
| 7 | SWOUT 5 |
| 8 | SWOUT 6 |
| 9 | SWOUT 7 |
| 10 | SWOUT 8 |
| 11 | SWIO 3 |
| 12 | SWIO 4 |

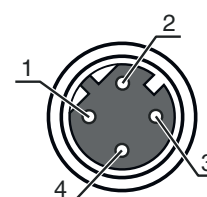


Connection 2

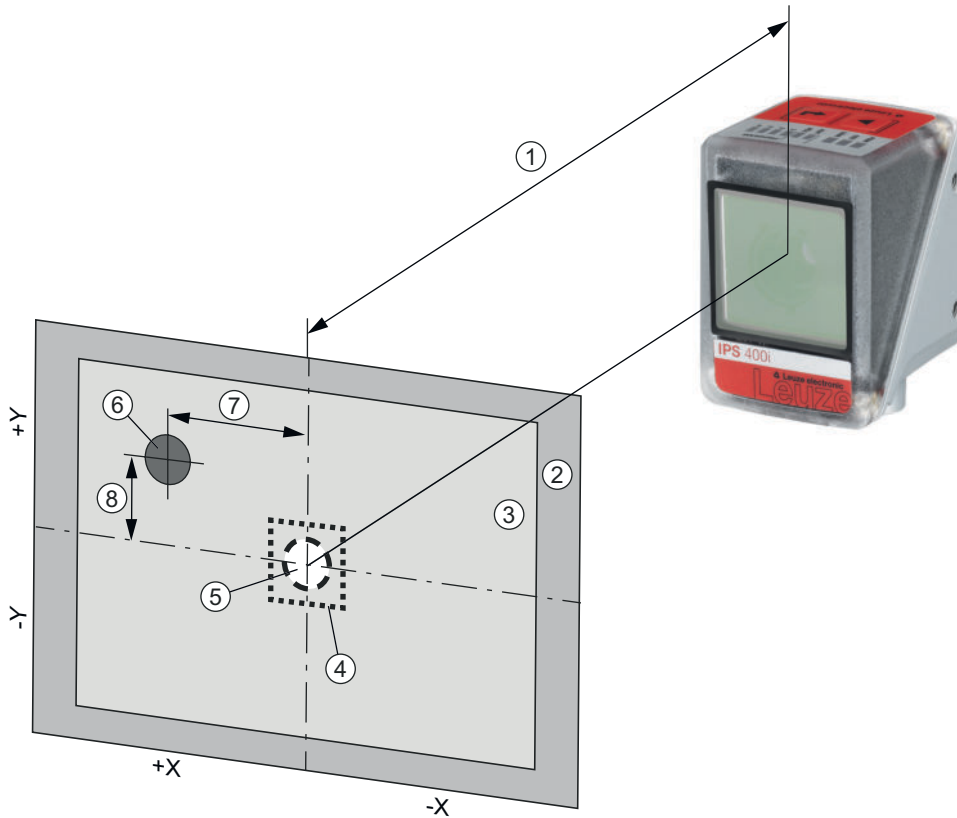
HOST

| | |
|---------------------------|---|
| Function | Configuration interface Data interface |
| Type of connection | Connector |
| Thread size | M12 |
| Type | Female |
| Material | Metal |
| No. of pins | 4 -pin |
| Encoding | D-coded |

| Pin | Pin assignment |
|-----|----------------|
| 1 | TD+ |
| 2 | RD+ |
| 3 | TD- |
| 4 | RD- |



Diagrams



- 1 Working distance
- 2 Field of view (FOV)
- 3 Region of interest (ROI)
- 4 Tolerance range
- 5 Nominal position (marker)
- 6 Actual position (marker)
- 7 X deviation (default)
- 8 Y deviation (default)

Typical fields of view (width x height in mm)

| A | IPS 2xxi | IPS 4xxi ..F2 | IPS 4xxi ..F4 |
|----------|-----------|---------------|---------------|
| 100 mm | 68 x 51 | -- | -- |
| 200 mm | 136 x 102 | -- | -- |
| 250 mm | 170 x 127 | 81 x 61 | -- |
| 300 mm | 204 x 153 | 98 x 73 | 74 x 57 |
| 350 mm | 238 x 178 | 114 x 86 | 86 x 66 |
| 400 mm | 272 x 204 | 131 x 98 | 99 x 76 |
| 450 mm | 306 x 229 | 148 x 111 | 111 x 85 |
| 500 mm | 340 x 255 | 164 x 123 | 123 x 95 |
| 1,300 mm | -- | 430 x 322 | 321 x 246 |
| 1,400 mm | -- | 463 x 347 | 345 x 265 |
| 1,500 mm | -- | 496 x 371 | 370 x 284 |
| 1,600 mm | -- | 530 x 396 | 395 x 303 |
| 1,700 mm | -- | 563 x 421 | 419 x 321 |
| 1,800 mm | -- | 596 x 446 | 444 x 340 |
| 1,900 mm | -- | 629 x 471 | 469 x 359 |
| 2,400 mm | -- | -- | 592 x 454 |

A Working distance

NOTE The working range (capture range) of the camera results from the field of view minus the marker diameter

Operation and display

| LED | Display | Meaning |
|--------|--------------------------|--|
| 1 PWR | Off | No supply voltage |
| | Green, flashing | Initialization |
| | Green, continuous light | Operational readiness |
| | Orange, continuous light | Service operation |
| | Orange, flashing | Wave function |
| | Red, flashing | Device OK, warning set |
| 2 NET | Red, continuous light | Device error |
| | Off | No supply voltage |
| | Green, flashing | Initialization |
| | Green, continuous light | Operational readiness |
| | Red, flashing | Communication error |
| 3 LINK | Red, continuous light | Network error |
| | Green, continuous light | Ethernet connection is established |
| | Yellow, flashing | Data exchange active |
| 4 AUTO | Green, flashing | Auto setup and teach-in of position |
| 5 ADJ | Green, flashing | Alignment mode and teach-in of position |
| 6 --- | Green, flashing | Flashing frequency signals the marker distance to the nominal position |
| | Green, continuous light | Marker is in nominal position |
| 7 --- | Green, flashing | Flashing frequency signals the marker distance to the nominal position |
| | Green, continuous light | Marker is in nominal position |
| 8 --- | Green, flashing | Flashing frequency signals the marker distance to the nominal position |
| | Green, continuous light | Marker is in nominal position |
| 9 --- | Green, flashing | Flashing frequency signals the marker distance to the nominal position |
| | Green, continuous light | Marker is in nominal position |

Part number code

Part designation: **IPS AAAA BBB-DC-EEE-FG-H-J**

| | |
|-------------|--|
| IPS | Operating principle Imaging Positioning Sensor (camera-based) |
| AAAA | Series/interface (integrated fieldbus technology) 408i: Ethernet TCP/IP, UDP 448i: PROFINET-IO, Ethernet TCP/IP, UDP 458i: EtherNet/IP |
| BBB | Equipment FIX: Fixed focal length |
| C | Focus position F: Far Density |
| D | Lens 2: 12 mm 4: 16 mm |
| EEE | Beam exit 102: front |
| F | Illumination I: infrared light |
| G | Resolution range 3: 1280 x 960 pixels |
| H | Protective screen G: Glass |
| J | Special equipment H: With heating |

Note



A list with all available device types can be found on the Leuze website at www.leuze.com.

Notes

⚠ Observe intended use!

This product is not a safety sensor and is not intended as personnel protection.

The product may only be put into operation by competent persons.

Only use the product in accordance with its intended use.

Configuration via configuration codes

The positioning sensor can also be configured using configuration codes. The device/application parameters in the device are set and permanently saved after reading this code. Configuration codes are created with the Code Generator tool. You can find the Code Generator on the Internet at www.leuze.com/code-generator.

Accessories

Connection technology - Connection cables



| | Part no. | Designation | Article | Description |
|--|----------|---------------------|------------------|--|
| | 50130281 | KD S-M12-CA-P1-020 | Connection cable | Connection 1: Connector, M12, Axial, Female, A-coded, 12 -pin Connector, LED: No Connection 2: Open end Shielded: Yes Cable length: 2.000 mm Sheathing material: PUR |
| | 50135073 | KS ET-M12-4A-P7-020 | Connection cable | Suitable for interface: Ethernet Connection 1: Connector, M12, Axial, Male, D-coded, 4 -pin Connector, LED: No Connection 2: Open end Shielded: Yes Cable length: 2.000 mm Sheathing material: PUR |

Connection technology - Interconnection cables



| | Part no. | Designation | Article | Description |
|--|----------|-----------------------------|-----------------------|--|
| | 50135080 | KSS ET-M12-4A-RJ45-A-P7-020 | Interconnection cable | Suitable for interface: Ethernet Connection 1: Connector, M12, Axial, Male, D-coded, 4 -pin Connection 2: RJ45 Shielded: Yes Cable length: 2,000 mm Sheathing material: PUR |

Accessories



Mounting technology - Mounting brackets

| | Part no. | Designation | Article | Description |
|---|----------|-------------|------------------|---|
|  | 50132151 | BT 320M | Mounting bracket | Design of mounting device: Angle, L-shape Fastening, at system: Through-hole mounting Mounting bracket, at device: Screw type Type of mounting device: Rigid Material: Metal |
|  | 50144298 | BT 330M | Mounting bracket | Design of mounting device: Angle, L-shape Fastening, at system: Through-hole mounting Mounting bracket, at device: Screw type Type of mounting device: Adjustable Material: Metal |


Mounting technology - Rod mounts

| | Part no. | Designation | Article | Description |
|--|----------|--------------|-----------------|--|
|  | 50132150 | BTU 320M-D12 | Mounting system | Design of mounting device: Mounting system Fastening, at system: For 12 mm rod Mounting bracket, at device: Screw type Type of mounting device: Clampable, Adjustable, Turning, 360° Material: Metal |
|  | 50144299 | BTU 330M-1 | Mounting device | Design of mounting device: Mounting system Fastening, at system: For 10-16 mm rods Mounting bracket, at device: Screw type Type of mounting device: Adjustable, Turning, 360° Material: Metal |

Standard reflectors

| | Part no. | Designation | Article | Description |
|--|----------|----------------|-----------|--|
|  | 50130343 | MTKZ 13-30 SET | Reflector | Design: Round Reflection surface diameter: 15 mm Material: Plastic Base material: Plastic Chemical designation of the material: PA Fastening: Clip Suitable for bore hole diameter: 12.5 ... 13.5 mm Suitable for material thickness: 0.8 ... 5 mm Processing temperature: 5 ... 45 °C |
|  | 50129092 | MTKZ 15-30 SET | Reflector | Design: Round Reflection surface diameter: 15 mm Material: Plastic Base material: Plastic Chemical designation of the material: PA Fastening: Clip Suitable for bore hole diameter: 14.5 ... 15.5 mm Suitable for material thickness: 0.8 ... 5 mm Processing temperature: 5 ... 45 °C |


Accessories

| | Part no. | Designation | Article | Description |
|--|----------|---------------|-----------|--|
|  | 50140183 | MTKZ 7-30 SET | Reflector | Design: Round Reflection surface diameter: 15 mm Material: Plastic Base material: Plastic Chemical designation of the material: PA Fastening: Clip Suitable for bore hole diameter: 6 ... 7 mm Suitable for material thickness: 0.8 ... 5 mm Processing temperature: 5 ... 45 °C |

Reflective tapes for standard applications

| | Part no. | Designation | Article | Description |
|--|----------|-------------------|-----------------|---|
|  | 50132911 | REF 7-A-15-30 SET | Reflective tape | Design: Round Reflection surface diameter: 15 mm Fastening: Self-adhesive Processing temperature: 15 ... 22 °C |

General

| | Part no. | Designation | Article | Description |
|---|----------|------------------------|--------------|--|
|  | 50144030 | IL AL 034/031 IR 110 H | Illumination | Special version: Heating Functions: Strobed operation (edge-triggered), no continuous operation |

Services

| | Part no. | Designation | Article | Description |
|--|----------|-------------|------------------|---|
|  | S981014 | CS30-S-110 | Start-up support | Details: Performed at location of customer's choosing, duration: max. 10 hours. Conditions: Devices and connection cables are already mounted, price not including travel costs and, if applicable, accommodation expenses. Restrictions: No mechanical (mounting) and electrical (wiring) work performed, no changes (attachments, wiring, programming) to third-party components in the nearby environment. |
|  | S981019 | CS30-T-110 | Product training | Details: Location and content to be agreed upon, duration: max. 10 hours. Conditions: Price not including travel costs and, if applicable, accommodation expenses. Restrictions: Travel costs and accommodation expenses charged separately and according to expenditure. |

Note



A list with all available accessories can be found on the Leuze website in the Download tab of the article detailed page.