

Inductive Sensor with IO-Link

I08H025

Part Number

weproTec



- Adjustable switching distance
- Easy sensor configuration using the IO-Link interface
- Innovative ASIC circuit technology
- Integrated error display and error output
- Minimal mounting clearance thanks to wenglor weproTec

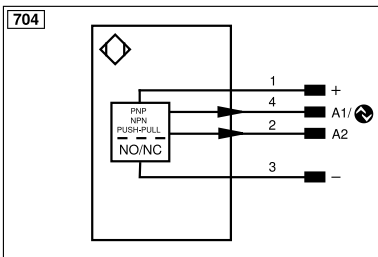
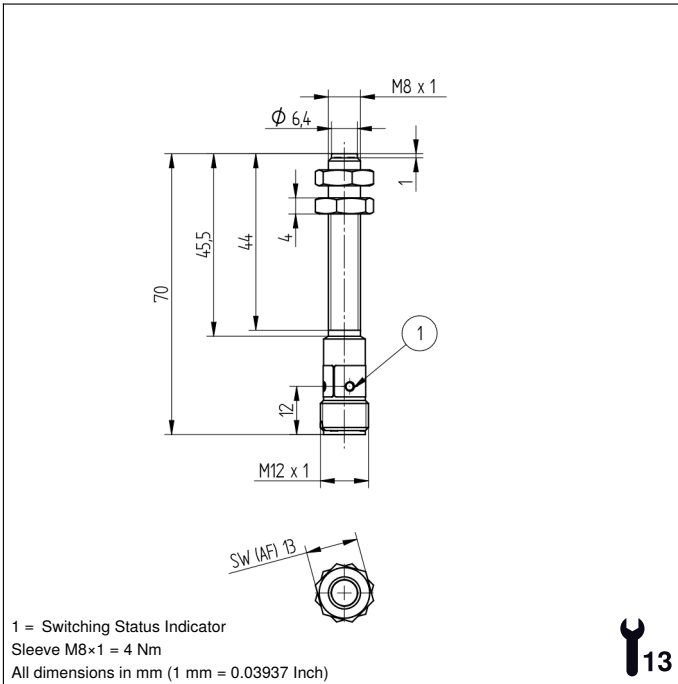
The Inductive Sensors have not only been equipped with ASIC, but rather with an IO-Link interface as well for ideal integration into networks. As a result, a total of three switching distances and two switching frequencies can be selected, and PNP/NPN as well as NO/NC/antivalent options can be set as desired. This reduces the number of variants while simultaneously expanding the scope of functions.

Technical Data

Inductive Data	
Switching Distance	4 mm
Standard Target	12 × 12 mm
Correction Factors Stainless Steel V2A/CuZn/Al	1,07/0,50/0,48
Mounting	semi-flush
Mounting A/B/C/D in mm	8/17/12/3
Mounting B1 in mm	0...6
Switching Hysteresis	< 10 %
Electrical Data	
Supply Voltage	10...30 V DC
Supply Voltage with IO-Link	18...30 V DC
Current Consumption (U _b = 24 V)	< 12 mA
Switching Frequency	760 Hz
Temperature Drift	< 10 %
Temperature Range	-40...80 °C
Switching Output Voltage Drop	< 1 V
Switching Output/Switching Current	150 mA
Residual Current Switching Output	< 100 μA
Short Circuit Protection	yes
Reverse Polarity and Overload Protection	yes
Interface	IO-Link V1.1
Protection Class	III
Mechanical Data	
Housing Material	CuZn, nickel-plated
Degree of Protection	IP67
Connection	M12 × 1; 4-pin
Safety-relevant Data	
MTTFd (EN ISO 13849-1)	3706,54 a
Function	
Error Indicator	yes
Programmable switching distance	2,5/3/4 mm
Programmable switching frequency	yes
IO-Link	●
Programmable error output	●
PNP NO	●
Connection Diagram No.	704
Suitable Connection Equipment No.	2
Suitable Mounting Technology No.	200 202

Complementary Products

IO-Link Master
Software



Legend					
+	Supply Voltage +	nc	Not connected	EN _{BR2422}	Encoder B/B̄ (TTL)
-	Supply Voltage 0 V	U	Test Input	ENA	Encoder A
~	Supply Voltage (AC Voltage)	Ū	Test Input inverted	EN _B	Encoder B
A	Switching Output (NO)	W	Trigger Input	AMIN	Digital output MIN
Ā	Switching Output (NC)	W-	Ground for the Trigger Input	AMAX	Digital output MAX
V	Contamination/Error Output (NO)	O	Analog Output	AOK	Digital output OK
ȳ	Contamination/Error Output (NC)	O-	Ground for the Analog Output	SY In	Synchronization In
E	Input (analog or digital)	BZ	Block Discharge	SY OUT	Synchronization OUT
T	Teach Input	Amv	Valve Output	OLT	Brightness output
Z	Time Delay (activation)	a	Valve Control Output +	M	Maintenance
S	Shielding	b	Valve Control Output 0 V	rsv	Reserved
RxD	Interface Receive Path	SY	Synchronization	Wire Colors according to DIN IEC 60757	
TxD	Interface Send Path	SY-	Ground for the Synchronization	BK	Black
RDY	Ready	E+	Receiver-Line	BN	Brown
GND	Ground	S+	Emitter-Line	RD	Red
CL	Clock	±	Grounding	OG	Orange
E/A	Output/Input programmable	SnR	Switching Distance Reduction	YE	Yellow
Ⓜ	IO-Link	Rx+/-	Ethernet Receive Path	GN	Green
PoE	Power over Ethernet	Tx+/-	Ethernet Send Path	BU	Blue
IN	Safety Input	Bus	Interfaces-Bus A(+)/B(-)	VT	Violet
OSSD	Safety Output	La	Emitted Light disengageable	GY	Grey
Signal	Signal Output	Mag	Magnet activation	WH	White
BI_D+/-	Ethernet Gigabit bidirect. data line (A-D)	RES	Input confirmation	PK	Pink
EN _o RS422	Encoder 0-pulse 0/0̄ (TTL)	EDM	Contactor Monitoring	GNYE	Green/Yellow
PT	Platinum measuring resistor	EN _{AR2422}	Encoder A/Ā (TTL)		

Mounting

