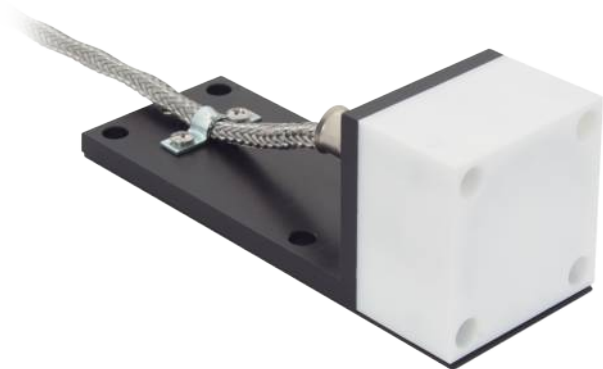


Inductive Sensor Head

cable length: 15 m

INTT010

Part Number



Technical Data

Inductive Data

| | |
|--|----------------|
| Switching Distance | 25 mm |
| Correction Factors Stainless Steel V2A/CuZn/Al | 0,81/0,56/0,52 |
| Mounting | non-flush |
| Mounting A/B/C/D in mm | 50/90/50/25 |

Electrical Data

| | |
|--|--------------|
| Sensor head temperature range | -10...250 °C |
| Temperature Range, Plug on Sensor Head | 0...50 °C |
| Protection Class | III |
| Service Life | 100000 h |

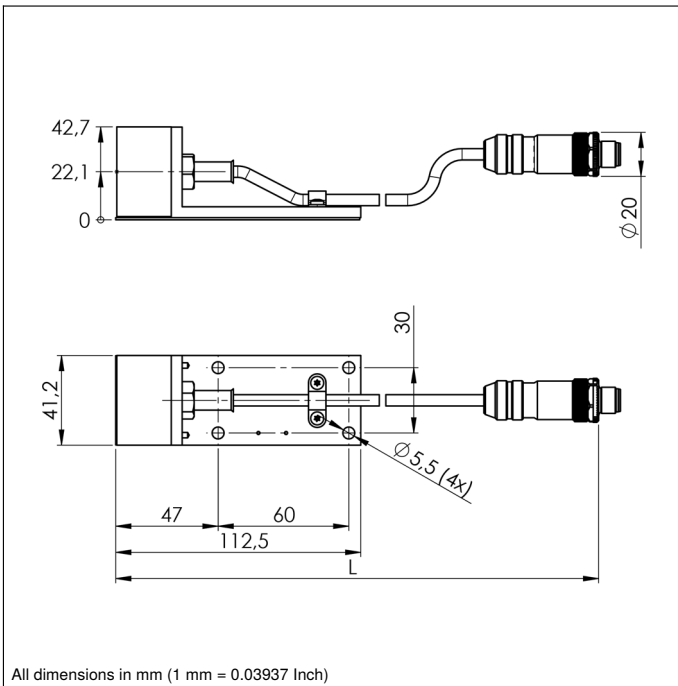
Mechanical Data

| | |
|-----------------------------------|----------------|
| Sensor head material | PTFE (FDA) |
| Degree of protection, sensor head | IP60 |
| Connection | M12 × 1; 4-pin |
| Cable Length (L) | 15 m |
| Outer diameter cable | 5,3 mm |
| PWIS-free | yes |

- Long service life of up to 100 000 hours
- Quickly interchangeable sensor head

The sensors consist of a sensor head and an analysis module, and are laid out for use in very hot work environments. Together with unparalleled service life in hot surroundings, large switching distances assure maximum system availability. Easily interchangeable sensor heads with numerous standard cable lengths are additionally available as separate replacement parts. The maintenance function prevents unscheduled system downtime. Thanks to unique, patented technology (DE202011001009), the sensor indicates that it should be replaced during the next scheduled maintenance before its service life expires. Furthermore, the sensor fulfills the DESINA diagnostics function as well.





Mounting

