

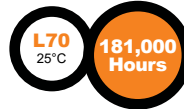
MWPCOQ DuraLED 1800K CCT LED Medium Wallpack Full Cutoff



Project Information	
Project Name: _____	Fixture Type: _____
Complete Catalog #: _____	Date: _____
Comments: _____	

The DuraGuard MWPCOQ cutoff wall pack luminaire with our **1800K CCT LED** array is the latest alternative to Low Pressure Sodium (LPS) designed for dark sky preservation without loss of lumens. Typical wall mounted lighting applications include retail centers, industrial parks, schools and universities, public transit and airports, office buildings and medical facilities. Mounting heights of 12 to 18 feet can be used based on light level and uniformity requirements.

SPECIFICATIONS AND FEATURES:



HOUSING:

Die Cast Hinged and Gasketed Aluminum Front Frame and Housing with 1/2" Coin Plugs. Nickel-Plated Stainless Steel Hardware. Photocell Adaptable.

LISTING & RATINGS:

CSA: Listed for Wet Locations, ANSI/UL 1598, 8750 IP65 Sealed LED Compartment.

FINISH:

Textured Architectural Bronze Powdercoat Finish Over a Chromate Conversion Coating. Custom Colors Available Upon Request.

LENS:

Tempered Clear Flat Glass Lens or Tempered Clear Flat Prismatic Glass Lens.

MOUNTING OPTIONS:

Cast-in Template for Mounting Directly Over a 4" Recessed Outlet Box, or Use 1/2" Surface Conduit.

1800K CCT LED:

Aluminum Boards. Delivers 1800K CCT and can be successfully applied on projects requiring a nominal CCT range of 1700K to 2200K CCT. See Page 2 for Spectral Chart.

WATTAGE:

36w Array: 40.4w;
(35w SOX 1800K CCT LED)

DRIVER:

Electronic Driver, 120-277V, 50/60Hz or 347-480V, 50/60Hz; Less Than 20% THD and PF>0.90. Standard Internal Surge Protection 6kV. 0-10V Dimming Standard for a Dimming Range of 100% to 10%; Dimming Source Current is 150 Microamps.

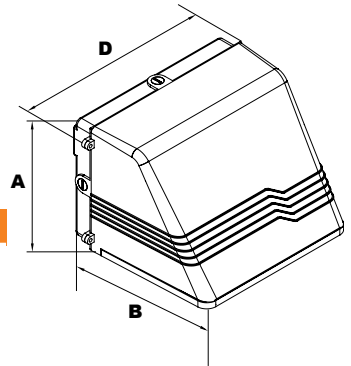
CONTROLS:

Fixtures Ordered with Factory-Installed Photocell or Motion Sensor Controls are Internally Wired for Switching and/or 1-10V Dimming Within the Housing. Remote Direct Wired Interface of 1-10V Dimming is Not Implied and May Not Be Available. Please Consult Factory. Fixtures are Tested with DuraGuard Controls and May Not Function Properly With Controls Supplied By Others. Fixtures are NOT Designed for Use with Line Voltage Dimmers.

WARRANTY:

5-Year Warranty for -40°C to +40°C Environment.

See Page 2 for Projected Lumen Maintenance Table.



Dimensions

Width (D)	14 1/4" (362mm)
Length (B)	11 3/8" (289mm)
Height (A)	9 1/8" (232mm)

1800K CCT LED

Complete Units Ordering Information
Example: **MWPCOQF1X37U5KCZSP**

MWPCOQ DuraLED 1800K CCT LED Medium Wallpack Full Cutoff

MWPCOQ	F	1X36	HA					
Model	Optics	Wattage	Driver	CCT	Lens	Color	Options	
MWPCOQ= DuraLED 1800K CCT LED Medium Wallpack Cutoff	F=Type V	1X36=36w	U=120-277V H=347-480V	HA=1800K		Z=Bronze C=Custom (Consult Factory)		
<p>C=Clear Flat Glass Lens, P=Clear Flat Prismatic Glass Lens</p> <p>SF=Single Fuse* DF=Double Fuse* SP=Surge Protection PC3=Photocell, 120-277VAC S2=Microwave Sensor with Dimming for Mounting Heights of 8' to 40'.* S4=Microwave On/Off Motion Sensor for Mounting Heights of 8' to 19'.* BU=Battery Backup, 90 Minutes* BUC=Cold Start Battery Backup, -20°C, 90 Minutes*</p>								

*120-277V Models Only.

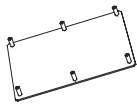


Specifications subject to change without notice.

MWPCOQ DuraLED 1800K CCT LED Medium Wallpack Full Cutoff



ACCESSORIES & REPLACEMENT PARTS:



MWPCOVS



MWPCOWG*



P18103



P17117



P17123

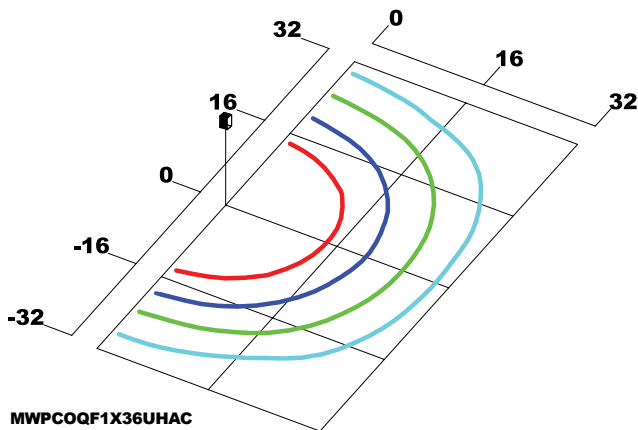
Accessories (Order Separately, Field Installed)	
MWPCOVS	Clear UV-Stabilized Polycarbonate Vandal Resistant Guard, Includes Hardware.
MWPCOWG	Wire Guard, Stainless Steel Construction, Includes Hardware.

Replacement Parts (Order Separately, Field Installed)	
MWPCOGL	Tempered Clear Flat Glass Lens.
MWPCOGLP	Tempered Prismatic Flat Glass Lens.
P18103	120-277VAC Photocell
P17117	Internal Microwave Sensor with Dimming for Mounting Heights of 8 to 40'. 120-277VAC, 50/60Hz
P17123	Internally Mounted Microwave On/Off Motion Sensor for Mounting Heights of 8' to 19', 120-277VAC, 50/60Hz

For Replacement Battery Backup, see the DuraGuard LED Battery Backup Specification Sheet.

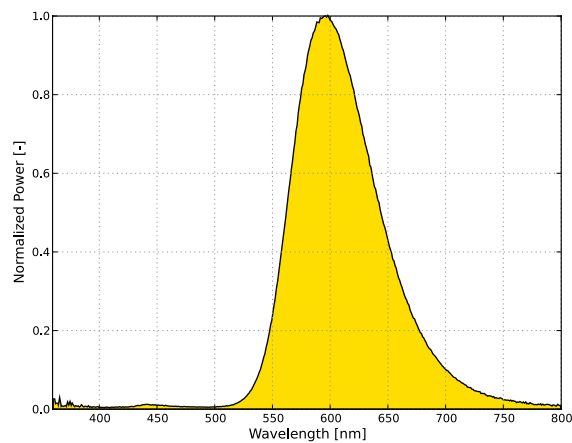
*Shown mounted.

PHOTOMETRIC DATA



MWPCOQF1X36UHAC
Type V
Grid in MH
MH=16 Feet

SPECTRAL CHART



1800K CCT LEDs provide the same visual light output as traditional Low Pressure Sodium systems, but provide substantially reduced energy and maintenance costs, and increased lifespan and lumen maintenance values.

1800K CCT LED: Dominant Wavelength 588.8-592.6
Low Pressure Sodium Wavelength: 589 and 589.6

PHOTOMETRIC PERFORMANCE

LED Board Watts	Input Watts	Optics	1800K CCT LED				
			Lumens	LPW	B	U G	
1800K CCT LED 36w	40	Type V	4,343	108	2	2	0

PROJECTED LUMEN MAINTENANCE

Data shown for 1800K CCT LED			Compare to LPS			
TM-21-11	Input Watts	Initial	25,000 Hrs	50,000 Hrs	100,000 Hrs	Calculated L70@ 25°C
L70 Lumen Maintenance @ 25°C / 77°F	40	1.00	0.96	0.92	0.83	181,000

NOTES:
1. Projected per IESNA TM-21-11. Data references the extrapolated performance projections for the base model in a 25°C ambient, based on 10,000 hours of LED testing per IESNA LM-80-08.
2. Compare to LPS box indicates suggested Light Loss Factor (LLF) to be used when comparing to Low Pressure Sodium (LPS) systems