

Mounting Clamp for M8 × 1

BSM8NB

Part Number

Technical Data

Mechanical Data

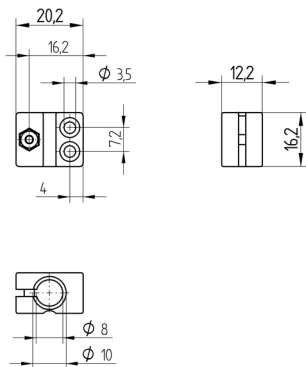
Material Plastic PA

Packaging unit 1 Piece

Mounting Number **200**



● Simple installation



All dimensions in mm (1 mm = 0.03937 Inch)

