

1D/2D Code Scanner

C50C002

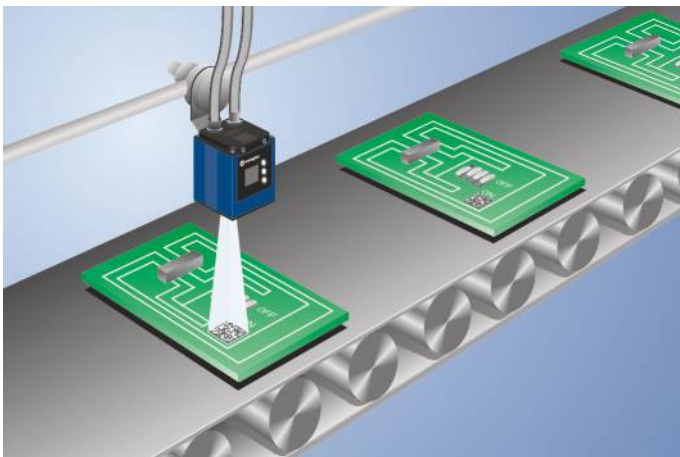
Part Number

weQubeDecode



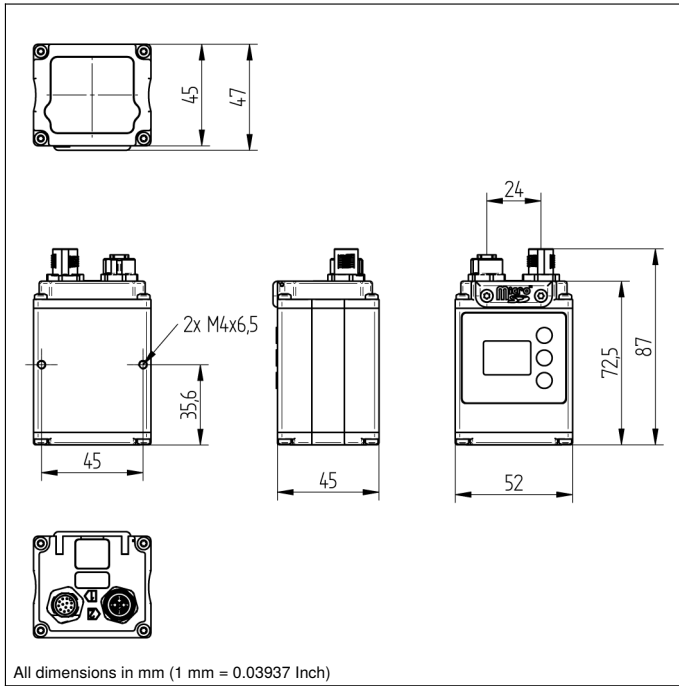
- **MultiCore technology**
- **Reading of printed and directly marked 1D and 2D codes**

The scanner weQubeDecode is based on the wenglor MultiCore technology. Omnidirectional scanning enables decoding of printed, needle-punched, laser-engraved or etched codes on various materials in any orientation. Good scanning results are even obtained with poor code quality. In addition to the established 1D codes it is also suitable for scanning various 2D codes. A list of readable code types is found in the operating instructions.



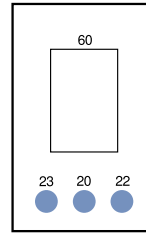
Technical Data

| Optical Data | |
|---------------------------------------------------------------------------------------------------------------------------------------------------------|------------------------|
| Working Range | ≥ 20 mm |
| Resolution | 736 × 480 Pixel |
| Resolution | 0,35 MP |
| Image Chip | monochrome |
| Image chip size | 1/3" |
| Pixel Size | 6 × 6 μm |
| Light Source | Infrared Light |
| Optics | Auto-focus |
| Risk Group (EN 62471) | 1 |
| Visual Field | see Table 1 |
| min. Resolution | 0,1 mm |
| Barcode Printing Contrast | > 15 % |
| Electrical Data | |
| Supply Voltage | 18...30 V DC |
| Current Consumption (U _b = 24 V) | < 200 mA |
| Scan Rate | 20 scans/sec |
| Temperature Range | -25...55 °C* |
| Inputs/Outputs | 6 |
| Switching Output Voltage Drop | < 2,5 V |
| Switching Output/Switching Current | 100 mA |
| Short Circuit Protection | yes |
| Reverse Polarity Protection | yes |
| Interface | RS-232/Ethernet |
| Protection Class | III |
| Mechanical Data | |
| Setting Method | Ethernet |
| Housing Material | Aluminum |
| Degree of Protection | IP67 |
| Connection | M12 × 1; 12-pin |
| Type of Connection Ethernet | M12 × 1; 8-pin, X-cod. |
| Optic Cover | Plastic, PMMA |
| Safety-relevant Data | |
| MTTFd (EN ISO 13849-1) | 230,41 a |
| Function | |
| 1D and 2D code reading | yes |
| Web server | yes |
| License package | weQubeDecode |
| PNP NO | ● |
| Illumination Output | ● |
| RS-232 Interface | ● |
| Ethernet | ● |
| Connection Diagram No. | 002 1008 |
| Control Panel No. | X2 |
| Suitable Connection Equipment No. | 50 87 |
| Suitable Mounting Technology No. | 560 |
| Display brightness may decrease with age. This does not result in any impairment of the sensor function. | |
| * -25 °C: Ambient conditions should not result in condensation; avoid the formation of ice on the front panel! | |
| 55 °C: Continuous illumination at max. 1% or flash mode at 100% brightness with an exposure time of ≤ 5 ms; may affect the service life of the product. | |
| Complementary Products | |
| Disk with Polarization Filter ZNNG004 | |
| Illumination Technology | |
| Protective Housing ZNNS001, ZNNS002 | |
| Software | |
| weQubeOCR License Upgrade DNNL003 | |
| weQubeVision License Upgrade DNNL001 | |
| ZC4G002 connection cable | |
| ZC4G003 connection cable | |
| ZDCG004 connection cable | |

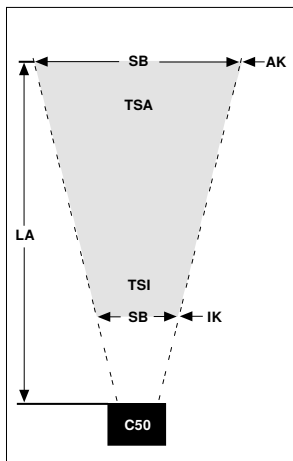


Ctrl. Panel

X2



20 = Enter key
 22 = Up key
 23 = Down key
 60 = display



AK = Outer Edge IK = Inner Edge LA = Read Range SB = Scan Width TSA = Depth of Focus Outer Edge TSI = Depth of Focus Inner Edge

| Min. Resolution | | Max. Visual Field | | Depth of Focus | | Read Range |
|-----------------|---------|-------------------|------------|----------------|--------|------------------|
| 1D | 2D | IK | AK | TSI | TSA | |
| 0.1 mm | — | 22×14 mm | 29×19 mm | 1 mm | 2 mm | 20 mm to 30 mm |
| 0.13 mm | — | 22×14 mm | 54×36 mm | 4 mm | 8 mm | 20 mm to 65 mm |
| 0.19 mm | — | 22×14 mm | 85×55 mm | 6 mm | 12 mm | 20 mm to 115 mm |
| 0.38 mm | — | 40×26 mm | 177×115 mm | 18 mm | 60 mm | 47 mm to 251 mm |
| 0.76 mm | — | 78×51 mm | 361×235 mm | 80 mm | 250 mm | 105 mm to 500 mm |
| — | 0.15 mm | 22×14 mm | 29×19 mm | 1 mm | 2 mm | 20 mm to 30 mm |
| — | 0.27 mm | 22×14 mm | 66×43 mm | 7 mm | 16 mm | 20 mm to 85 mm |
| — | 0.49 mm | 22×14 mm | 131×85 mm | 12 mm | 58 mm | 20 mm to 180 mm |
| — | 1.25 mm | 24×15 mm | 358×233 mm | 35 mm | 385 mm | 27 mm to 500 mm |

Table 1

| Working Distance | 20 mm | 100 mm | 200 mm |
|------------------|----------|------------|-------------|
| Visual Field | 9 × 6 mm | 65 × 42 mm | 134 × 87 mm |

