

# 1D/2D Code Scanner

## C50C011

Part Number

weQubeDecode



- **MultiCore technology**
- **Reading of printed and directly marked 1D and 2D codes**

The scanner weQubeDecode is based on the wenglor MultiCore technology. Omnidirectional scanning enables decoding of printed, needle-punched, laser-engraved or etched codes on various materials in any orientation. Good scanning results are even obtained with poor code quality. In addition to the established 1D codes it is also suitable for scanning various 2D codes. A list of readable code types is found in the operating instructions.

### Technical Data

Optical Data	
Lens thread	C-Mount
Resolution	736 × 480 Pixel
Image Chip	monochrome
Image chip size	1/3"
Pixel Size	6 × 6 μm
Service Life (T = +25 °C)	100000 h
min. Resolution	0,1 mm
Barcode Printing Contrast	> 15 %

Electrical Data	
Supply Voltage	18...30 V DC
Current Consumption (U <sub>b</sub> = 24 V)	< 200 mA
Scan Rate	20 scans/sec
Temperature Range	-25...55 °C*
Inputs/Outputs	6
Switching Output Voltage Drop	< 2,5 V
Switching Output/Switching Current	100 mA
Short Circuit Protection	yes
Reverse Polarity Protection	yes
Interface	RS-232/Ethernet
Protection Class	III

Mechanical Data	
Setting Method	Ethernet
Housing Material	Aluminum
Degree of Protection	IP67
Connection	M12 × 1; 12-pin
Type of Connection Ethernet	M12 × 1; 8-pin, X-cod.

Safety-relevant Data	
MTTFd (EN ISO 13849-1)	263,03 a

Function	
1D and 2D code reading	yes
Web server	yes

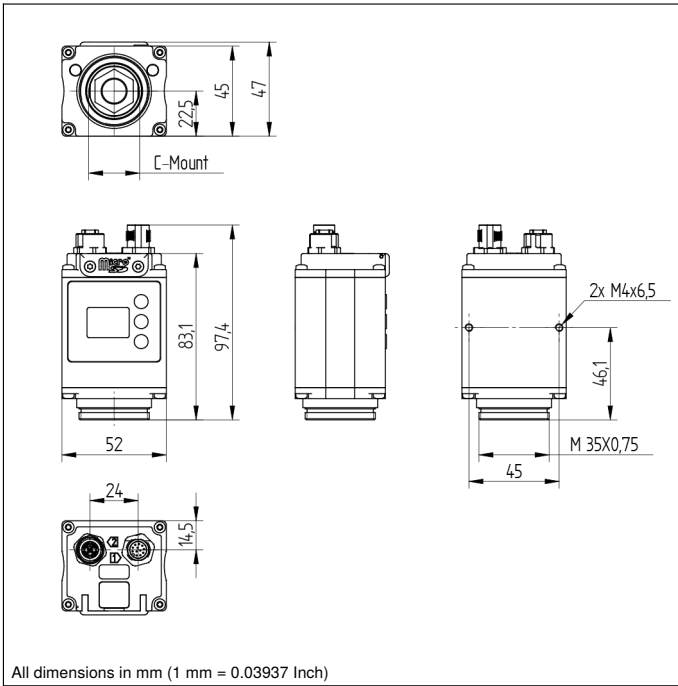
PNP NO	●
Illumination Output	●
RS-232 Interface	●
Ethernet	●

Connection Diagram No.	002   1008
Control Panel No.	X2
Suitable Connection Equipment No.	50   87
Suitable Mounting Technology No.	560

Display brightness may decrease with age. This does not result in any impairment of the sensor function.  
 \* -25 °C: Ambient conditions should not result in condensation; avoid the formation of ice on the front panel!  
 55 °C: Continuous illumination at max. 1% or flash mode at 100% brightness with an exposure time of ≤ 5 ms; may affect the service life of the product.

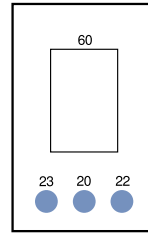
### Complementary Products

Illumination Technology
Lens
Protective Housing ZSZ-0x-01
Software
weQubeOCR License Upgrade DNNL003
weQubeVision License Upgrade DNNL001
ZC4G002 connection cable
ZC4G003 connection cable
ZDCG004 connection cable



### Ctrl. Panel

X2



- 20 = Enter key
- 22 = Up key
- 23 = Down key
- 60 = display