

1D/2D Code Scanner

C5PC203

Part Number

IndustrialEthernet



- Auto-button function
- DPM
- Integrated code reconstruction
- Integrated LED illumination
- PROFINET and EtherNet/IP™
- Web link

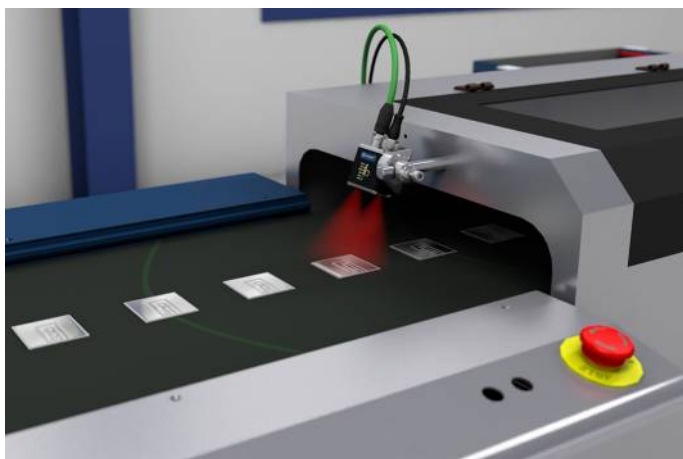
These 2D code scanners are suitable for omnidirectional scanning of 1D and 2D codes.

The following code types can be processed:

1D codes: Code39, Code93, Code128, UPC/EAN, BC412, Interleaved 2 of 5, Codabar, Postal Codes, Pharmacode

2D codes: DataMatrix ECC 0...200, PDF417, Micro PDF417, QR-Code, Micro QR-Code, Aztec Code, GS1 Databar, Dot code

Additional code types upon request.



Technical Data

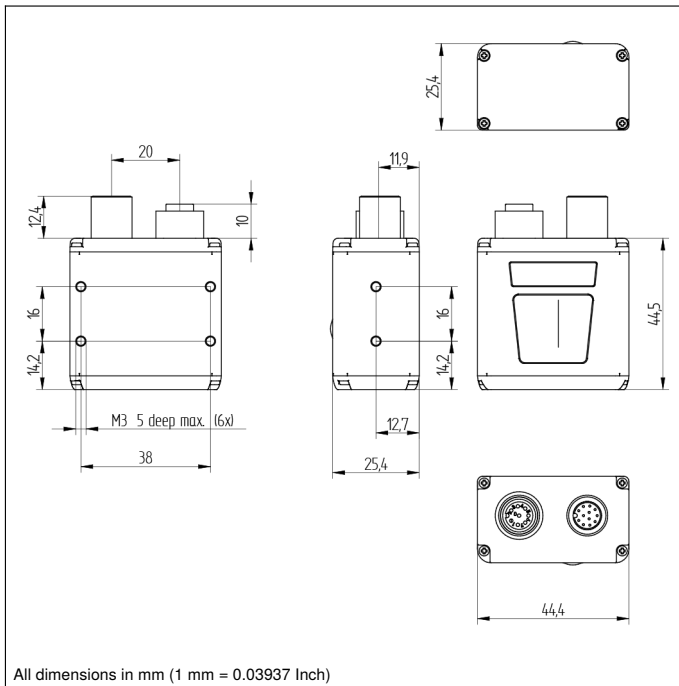
| Optical Data | |
|-----------------|------------------|
| Barcode Density | Standard density |
| Read Range | 50...300 mm |
| Resolution | 752 × 480 Pixel |
| Light Source | Red Light |
| Wavelength | 617 nm |
| Focus | Autofocus |
| min. Resolution | > 0,191 mm |

| Electrical Data | |
|---|-----------------|
| Supply Voltage | 5...30 V DC |
| Current Consumption (U _b = 24 V) | 180 mA |
| Scan Rate | 60 scans/sec |
| Temperature Range | 0...45 °C |
| Switching Output | Optoisolator |
| Number of Switching Outputs | 3 |
| Switching Output/Switching Current | < 100 mA |
| Reverse Polarity Protection | yes |
| Interface | RS-232/Ethernet |
| Trigger Input | Optoisolator |
| Signal Input | Optoisolator |
| Number of Signal Inputs | 3 |

| Mechanical Data | |
|-----------------------------------|-----------------|
| Setting Method | Ethernet |
| Housing Material | Metal |
| Weight | 68 g |
| Degree of Protection | IP65/IP67 |
| Connection | M12 × 1; 12-pin |
| Type of Connection Ethernet | M12 × 1; 8-pin |
| PNP NO/NC switchable | ● |
| NPN NO/NC switchable | ● |
| Ethernet | ● |
| PROFINET-I/O, CC-B | ● |
| EtherNet/IP™ | ● |
| Connection Table No. | 39 |
| Control Panel No. | A24 |
| Suitable Connection Equipment No. | 87 |
| Suitable Mounting Technology No. | 430 |

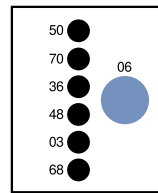
Complementary Products

| |
|-------------------------------|
| Connection Cable ZCYV00x |
| Connection cable ZDCG005 |
| Path-Folding Mirror ZNNG028 |
| Protective Housing ZSV-0x-01 |
| Software |
| ZC4G002 connection cable |
| ZC4G003 connection cable |
| ZNNG053 Replacement disc |
| ZNNG054 Optical diffuser |
| ZNNG055 Polarization filter |
| ZNNG056 ESD protective screen |
| ZNNG057 YAG filter |



Ctrl. Panel

A24



- 03 = Error Indicator
- 06 = Teach Button
- 36 = Mode Indicator
- 48 = Network Status
- 50 = Good Read
- 68 = supply voltage indicator
- 70 = Run/Trigger

| Distance | Max. Field of View | Min. Resolution | Read Range | |
|----------|--------------------|-----------------|-------------|-------------|
| | | | 1D | 2D |
| 50 mm | 33 × 21 mm | 0,084 mm | 50 mm | - |
| 100 mm | 63 × 40 mm | 0,127 mm | 50...64 mm | 50 mm |
| 150 mm | 92 × 59 mm | 0,191 mm | 50...102 mm | 50...64 mm |
| 200 mm | 121 × 77 mm | 0,254 mm | 50...133 mm | 50...102 mm |
| 250 mm | 151 × 96 mm | 0,381 mm | 50...190 mm | 50...133 mm |
| 300 mm | 180 × 115 mm | 0,508 mm | 50...300 mm | 50...190 mm |
| | | 0,762 mm | 50...400 mm | 50...300 mm |

