

# 1D/2D Code Scanner

## C5PC204

Part Number

IndustrialEthernet



- Auto-button function
- DPM
- Integrated code reconstruction
- Integrated LED illumination
- PROFINET and EtherNet/IP™
- Web link

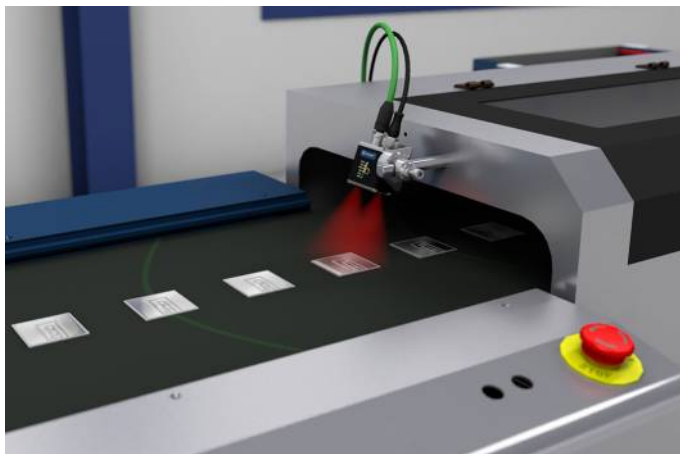
These 2D code scanners are suitable for omnidirectional scanning of 1D and 2D codes.

The following code types can be processed:

1D codes: Code39, Code93, Code128, UPC/EAN, BC412, Interleaved 2 of 5, Codabar, Postal Codes, Pharmacode

2D codes: DataMatrix ECC 0...200, PDF417, Micro PDF417, QR-Code, Micro QR-Code, Aztec Code, GS1 Databar, Dot code

Additional code types upon request.



### Technical Data

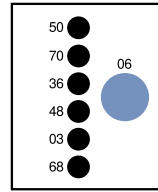
| Optical Data                                |                 |
|---|-----------------|
| Barcode Density                             | High density    |
| Read Range                                  | 133 mm          |
| Resolution                                  | 752 × 480 Pixel |
| Light Source                                | Red Light       |
| Wavelength                                  | 617 nm          |
| Focus                                       | Fix             |
| X-Dimension                                 | 84 mm           |
| Y-Dimension                                 | 54 mm           |
| min. Resolution                             | > 0,254 mm      |
| Electrical Data                             |                 |
| Supply Voltage                              | 5...30 V DC     |
| Current Consumption (U <sub>b</sub> = 24 V) | 180 mA          |
| Scan Rate                                   | 60 scans/sec    |
| Temperature Range                           | 0...45 °C       |
| Switching Output                            | Optoisolator    |
| Number of Switching Outputs                 | 3               |
| Switching Output/Switching Current          | < 100 mA        |
| Reverse Polarity Protection                 | yes             |
| Interface                                   | RS-232/Ethernet |
| Trigger Input                               | Optoisolator    |
| Signal Input                                | Optoisolator    |
| Number of Signal Inputs                     | 3               |
| Mechanical Data                             |                 |
| Setting Method                              | Ethernet        |
| Housing Material                            | Metal           |
| Weight                                      | 68 g            |
| Degree of Protection                        | IP65/IP67       |
| Connection                                  | M12 × 1; 12-pin |
| Type of Connection Ethernet                 | M12 × 1; 8-pin  |
| PNP NO/NC switchable                        | ●               |
| NPN NO/NC switchable                        | ●               |
| Ethernet                                    | ●               |
| PROFINET-I/O, CC-B                          | ●               |
| EtherNet/IP™                                | ●               |
| Connection Table No.                        | <b>39</b>       |
| Control Panel No.                           | <b>A24</b>      |
| Suitable Connection Equipment No.           | <b>87</b>       |
| Suitable Mounting Technology No.            | <b>430</b>      |

### Complementary Products

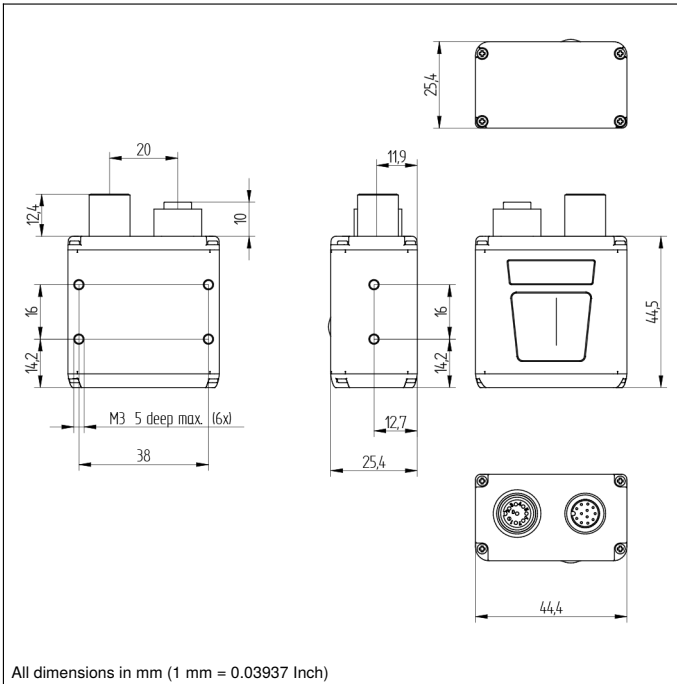
|                               |
|-------------------------------|
| Connection Cable ZCYV00x      |
| Connection cable ZDCG005      |
| Path-Folding Mirror ZNNG028   |
| Protective Housing ZSV-0x-01  |
| Software                      |
| ZC4G002 connection cable      |
| ZC4G003 connection cable      |
| ZNNG053 Replacement disc      |
| ZNNG054 Optical diffuser      |
| ZNNG055 Polarization filter   |
| ZNNG056 ESD protective screen |
| ZNNG057 YAG filter            |

### Ctrl. Panel

A24



- 03 = Error Indicator
- 06 = Teach Button
- 36 = Mode Indicator
- 48 = Network Status
- 50 = Good Read
- 68 = supply voltage indicator
- 70 = Run/Trigger



All dimensions in mm (1 mm = 0.03937 Inch)

