

Lens for Plastic Fiber-Optic Cable with Focused Light Spot

LA28

Part Number

Technical Data

Optical Data

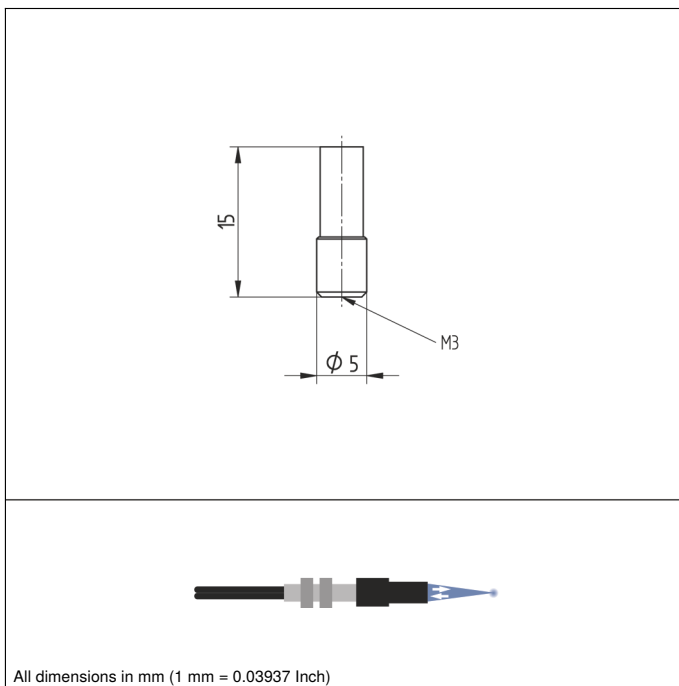
Range with K17	10 mm
Light Spot Diameter	0,6 mm
Smallest Recognizable Part	100 μ m

Mechanical Data

Material	Aluminum, anodised
Packaging unit	1 Piece



- Smallest recognizable part: 100 μ m



All dimensions in mm (1 mm = 0.03937 Inch)

