

# Bar Light IP69K

White light, 375 mm

## LB9W301

Part Number



- Certified for wash-down environments (DIN 400 50 Part 9)
- Industry-leading performance of the LBA bar light
- Mounting bracket included in scope of delivery
- No external control required

wenglor's LB9 series bar lights are industrial IP69K lights. The food-safe housing is perfect for environments where high-pressure, high-temperature cleaning with steam and cleaning chemicals is required. The homogeneous and intense luminous flux of the illumination device is perfectly suited for many types of applications with working distances in the near and far range. The LB9 bar lights can be used in continuous mode or synchronized with the Machine Vision Camera in strobe mode via PNP or NPN inputs. Bar lights come with L-holders as standard that allow 360° rotation, making them easy to mount and install.

### Technical Data

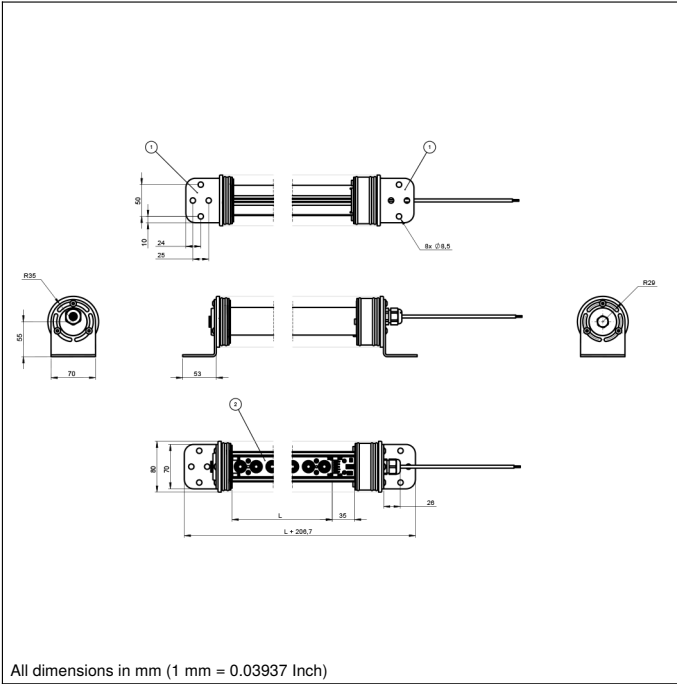
Optical Data	
Light Source	White Light
Color temperature	6500 K
Risk Group (EN 62471)	1
Beam angle	± 17 °
White light output	58000 Lux
Measuring point distance	200 mm
Electrical Data	
Supply Voltage	21,6...26,4 V DC
Power	24 W
Current Consumption Continuous Mode (U <sub>b</sub> = 24 V)	1 A
Rise time	15 μs
Fall time	10 μs
Input signal	PNP/NPN
Temperature Range	-20...40 °C
Storage temperature	-20...60 °C
Short Circuit Protection	yes
Reverse Polarity Protection	yes
Overload Protection	yes
Protection Class	III
Dimming	0...10 V ± 100...30%
Overdrive	no
Mechanical Data	
Luminous Field Length (L)	375 mm
Housing Material	Plastic, PMMA
Housing Material	Stainless steel, V4A (1.4404 / 316L)
Degree of Protection	IP69K
Optic Cover	Plastic, PMMA
Connection	5-core cable, 5 m
Cable Jacket Material	Plastic, PUR
Max. cable length	60 m
Outer diameter (d)	5,4 mm
Function	
Operating modes	Continuous, Strobe

Connection Diagram No.

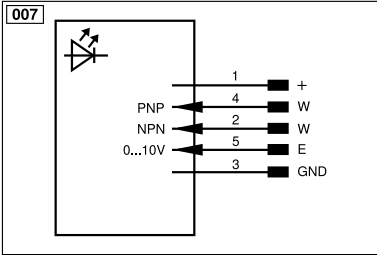
007

### Complementary Products

ZC4G003 connection cable  
ZDCG004 connection cable  
ZDCG005 connection cable



All dimensions in mm (1 mm = 0.03937 Inch)



Legend			
+	Supply Voltage +	nc	Not connected
-	Supply Voltage 0 V	U	Test Input
~	Supply Voltage (AC Voltage)	Ū	Test Input inverted
A	Switching Output (NO)	W	Trigger Input
Ā	Switching Output (NC)	W-	Ground for the Trigger Input
V	Contamination/Error Output (NO)	O	Analog Output
ȳ	Contamination/Error Output (NC)	O-	Ground for the Analog Output
E	Input (analog or digital)	BZ	Block Discharge
T	Teach Input	Amv	Valve Output
Z	Time Delay (activation)	a	Valve Control Output +
S	Shielding	b	Valve Control Output 0 V
RxD	Interface Receive Path	SY	Synchronization
TxD	Interface Send Path	SY-	Ground for the Synchronization
RDY	Ready	E+	Receiver-Line
GND	Ground	S+	Emitter-Line
CL	Clock	±	Grounding
E/A	Output/Input programmable	SnR	Switching Distance Reduction
IO-Link	IO-Link	Rx+/-	Ethernet Receive Path
PoE	Power over Ethernet	Tx+/-	Ethernet Send Path
IN	Safety Input	Bus	Interfaces-Bus A(+)/B(-)
OSSD	Safety Output	La	Emitted Light disengageable
Signal	Signal Output	Mag	Magnet activation
BI_D+/-	Ethernet Gigabit bidirect. data line (A-D)	RES	Input confirmation
ENo RS422	Encoder 0-pulse 0/0 (TTL)	EDM	Contactor Monitoring
PT	Platinum measuring resistor	ENARs422	Encoder A/Ā (TTL)
			Wire Colors according to DIN IEC 60757
			BK Black
			BN Brown
			RD Red
			OG Orange
			YE Yellow
			GN Green
			BU Blue
			VT Violet
			GY Grey
			WH White
			PK Pink
			GNYE Green/Yellow

