

# Bar Light Diffuse

White light, 375 mm

## LBDW301

Part Number



- No external control required
- No LED hot spots
- Very diffuse light

wenglor's LBD series bar lights are highly diffuse luminaires that are perfect for diffuse illumination at low angles of incidence, direct illumination at low working distances, and backlight illumination of specific features in the visual field. The LBD bar lights can be used in continuous mode or synchronized with the Machine Vision Camera in strobe mode via PNP or NPN inputs. The integrated power control and flexible mounting options make the illumination very easy to install and perfect for a wide range of applications in industrial image processing and identification.

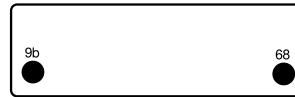
### Technical Data

Optical Data	
Light Source	White Light
Color temperature	6500 K
Beam angle	± 65 °
White light output	78000 Lux
Electrical Data	
Supply Voltage	21,6...26,4 V DC
Power	28,8 W
Current Consumption Continuous Mode (Ub = 24 V)	1,2 A
Rise time	15 µs
Fall time	10 µs
Input signal	PNP/NPN
Temperature Range	-10...40 °C
Storage temperature	-20...60 °C
Short Circuit Protection	yes
Reverse Polarity Protection	yes
Overload Protection	yes
Protection Class	III
Dimming	0...10 V ± 100...30%
Overdrive	no
Mechanical Data	
Luminous Field Length (L)	375 mm
Luminous Field Width (W)	31,5 mm
Luminous Field	375 × 31,5 mm
Housing Material	Aluminum, anodised
Degree of Protection	IP65
Optic Cover	Plastic, PMMA
Connection	M12 × 1; 5-pin
Max. cable length	60 m
Function	
Operating modes	Continuous, Strobe
Connection Diagram No.	<b>007</b>
Control Panel No.	<b>T17</b>
Suitable Mounting Technology No.	<b>925</b>

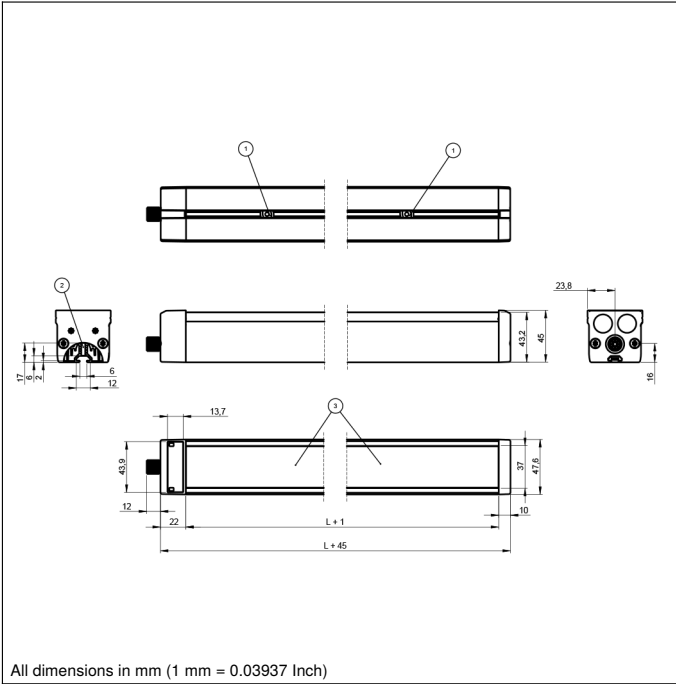
### Complementary Products

ZBAZ001 Bar clamp
ZC4G003 connection cable
ZDCG004 connection cable
ZDCG005 connection cable

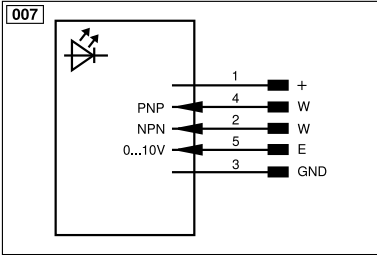
### Ctrl. Panel

**T17**


68 = supply voltage indicator  
 9b = Strobe Mode Indicator



All dimensions in mm (1 mm = 0.03937 Inch)



Legend			
+	Supply Voltage +	nc	Not connected
-	Supply Voltage 0 V	U	Test Input
~	Supply Voltage (AC Voltage)	Ū	Test Input inverted
A	Switching Output (NO)	W	Trigger Input
Ā	Switching Output (NC)	W-	Ground for the Trigger Input
V	Contamination/Error Output (NO)	O	Analog Output
ȳ	Contamination/Error Output (NC)	O-	Ground for the Analog Output
E	Input (analog or digital)	BZ	Block Discharge
T	Teach Input	Amv	Valve Output
Z	Time Delay (activation)	a	Valve Control Output +
S	Shielding	b	Valve Control Output 0 V
RxD	Interface Receive Path	SY	Synchronization
TxD	Interface Send Path	SY-	Ground for the Synchronization
RDY	Ready	E+	Receiver-Line
GND	Ground	S+	Emitter-Line
CL	Clock	±	Grounding
E/A	Output/Input programmable	SnR	Switching Distance Reduction
IO-Link		Rx+/-	Ethernet Receive Path
PoE	Power over Ethernet	Tx+/-	Ethernet Send Path
IN	Safety Input	Bus	Interfaces-Bus A(+)/B(-)
OSSD	Safety Output	La	Emitted Light disengageable
Signal	Signal Output	Mag	Magnet activation
BI_D+/-	Ethernet Gigabit bidirect. data line (A-D)	RES	Input confirmation
ENo RS422	Encoder 0-pulse 0/0 (TTL)	EDM	Contactor Monitoring
PT	Platinum measuring resistor	ENARs422	Encoder A/Ā (TTL)
			Wire Colors according to DIN IEC 60757
			BK Black
			BN Brown
			RD Red
			OG Orange
			YE Yellow
			GN Green
			BU Blue
			VT Violet
			GY Grey
			WH White
			PK Pink
			GNYE Green/Yellow

