

Reflector

61 × 51.5 × 7 mm

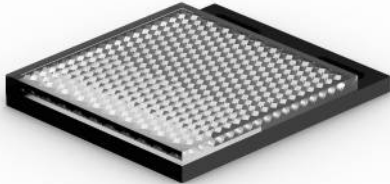
RE6151BA

Part Number

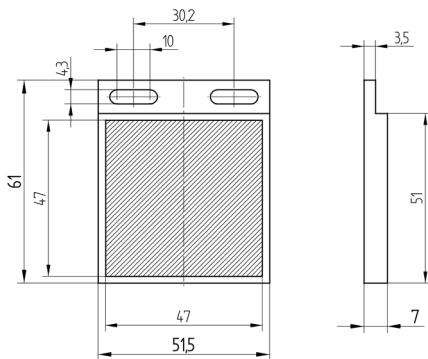
Technical Data

Mechanical Data

| | |
|----------------------------------|-----------------|
| Structure | Macro Structure |
| Mounting Type | Fixing Holes |
| Material | Plastic |
| Degree of Protection | IP67 |
| Temperature Range | -20...60 °C |
| Packaging unit | 1 Piece |
| Suitable Mounting Technology No. | 390 |



- With fixing holes



All dimensions in mm (1 mm = 0.03937 Inch)