

# Reflector

61 × 51.5 × 7 mm

## RE6151BM

Part Number

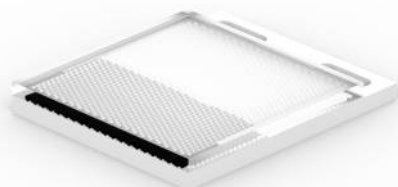
### Technical Data

#### Mechanical Data

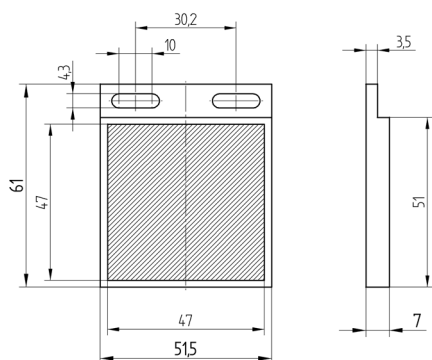
Structure	Microstructure
Mounting Type	Fixing Holes
Material	Plastic
Degree of Protection	IP67
Temperature Range	-20...60 °C
Packaging unit	1 Piece

Suitable Mounting Technology No.

390



- Microstructure, with fixing holes



All dimensions in mm (1 mm = 0.03937 Inch)