

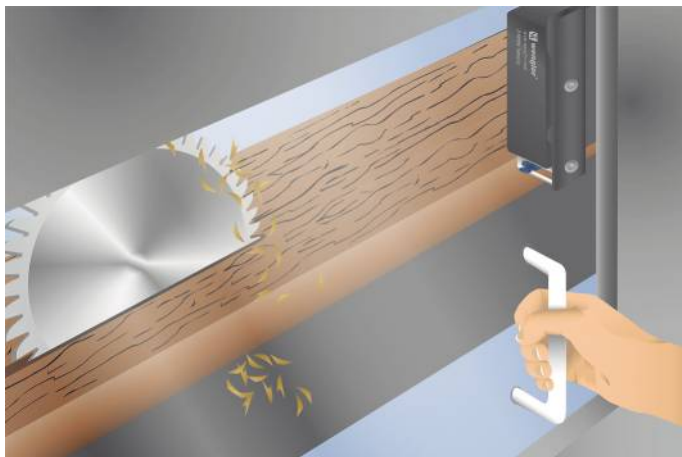
S2FP001

Part Number



- Continuously monitored locking force of 1150 N
- Performance Level: Cat. 4 PL e
- Power to unlock principle

The electromechanical guard locking device is distinguished by a high, continuously monitored locking force of 1150 N. As a result, only one guard locking device is required in order to fulfill a safety level of category 4 PL e (EN ISO 13849-1). The safety level, as well as reaction time and risk time, remain unchanged when connected in series. Extensive diagnosis functions enhance system availability and simplify installation and maintenance. The unique star handle operating concept is especially well-suited for rotary and sliding doors.



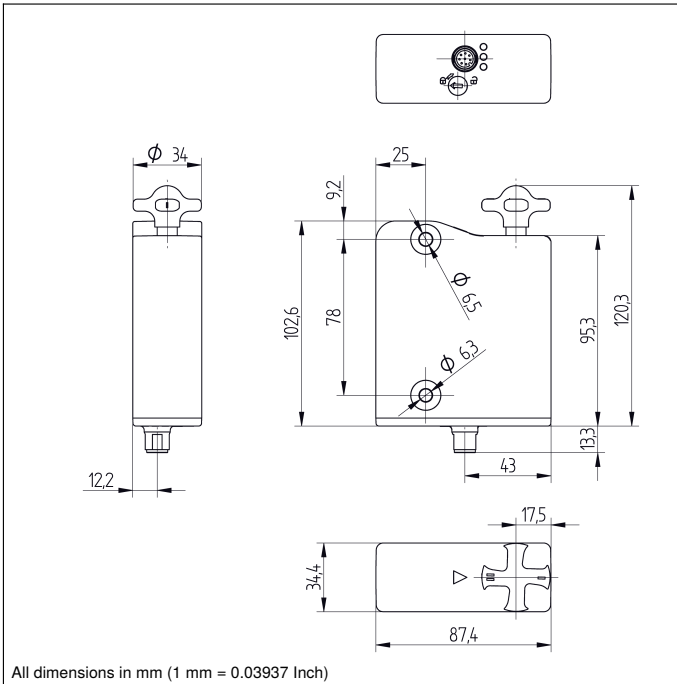
Technical Data

Electrical Data	
Sensor Type	Locking unit
Supply Voltage	20,4...26,4 V DC
Response Time	≤ 100 ms
Risk time	≤ 200 ms
Temperature Range	0...60 °C
Storage temperature	-10...90 °C
Safety Output	OSSD
No. Safety Outputs (OSSDs)	2
PNP Safety Output/Switching Current	250 mA
Number of Signal Outputs	1
PNP signal output switching current	50 mA
Short Circuit Protection	yes
Protection Class	III
Mechanical Data	
Housing Material	Plastic
Degree of Protection	IP66/IP67/IP69
Connection	M12 × 1; 8-pin
Latching Force, typical	25 / 50 N
Safety-relevant Data	
Operating principle	RFID
Coding	Standard
Performance Level (EN ISO 13849-1)	Cat. 4 PL e *
PFHD	5,20 × E-10 1/h *
Safety Integrity Level (EN 61508)	SIL3*
Safety Integrity Level (EN 62061)	SILCL3*
PDDb (EN 60947-5-3)	yes
Locking Device	Power to unlock principle
Locking Force F (Zh)	1150 N
Function	
Series Connection	yes
Monitored lock	yes
Mechanical Detent Mechanism	yes
Detent Mechanism	yes
Auxiliary release	yes
Applicable actuator	S2FP200
Connection Diagram No.	P03
Suitable Connection Equipment No.	89
Suitable Mounting Technology No.	850

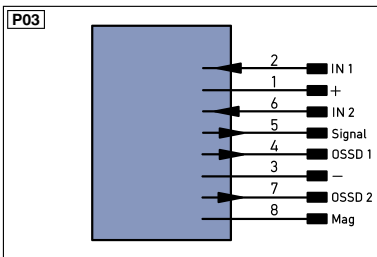
* For locking function

Complementary Products

Safety Relay SR4B3B01S, SR4D3B01S
Software



All dimensions in mm (1 mm = 0.03937 Inch)



Legend

+	Supply Voltage +	PT	Platinum measuring resistor	EN ^{A/RS422}	Encoder A/Ā (TTL)
-	Supply Voltage 0 V	nc	not connected	EN ^{B/RS422}	Encoder B/B̄ (TTL)
~	Supply Voltage (AC Voltage)	U	Test Input	EN ^A	Encoder A
A	Switching Output (NO)	Ū	Test Input inverted	EN ^B	Encoder B
Ā	Switching Output (NC)	W	Trigger Input	A ^{MIN}	Digital output MIN
V	Contamination/Error Output (NO)	W-	Ground for the Trigger Input	A ^{MAX}	Digital output MAX
ṽ	Contamination/Error Output (NC)	O	Analog Output	A ^{OK}	Digital output OK
E	Input (analog or digital)	O-	Ground for the Analog Output	SY ^{In}	Synchronization In
T	Teach Input	BZ	Block Discharge	SY ^{OUT}	Synchronization OUT
Z	Time Delay (activation)	AWV	Valve Output	OL ^T	Brightness output
S	Shielding	a	Valve Control Output +	M	Maintenance reserved
RxD	Interface Receive Path	b	Valve Control Output 0 V	rsv	reserved
TxD	Interface Send Path	SY	Synchronization	Wire Colors according to IEC 60757	
RDY	Ready	SY-	Ground for the Synchronization	BK	Black
GND	Ground	E+	Receiver-Line	BN	Brown
CL	Clock	S+	Emitter-Line	RD	Red
E/A	Output/Input programmable	±	Grounding	OG	Orange
	IO-Link	S ⁿ R	Switching Distance Reduction	YE	Yellow
PoE	Power over Ethernet	Rx+/-	Ethernet Receive Path	GN	Green
IN	Safety Input	Tx+/-	Ethernet Send Path	BU	Blue
OSSD	Safety Output	Bus	Interfaces-Bus A(+)/B(-)	VT	Violet
Signal	Signal Output	L ^a	Emitted Light disengageable	GY	Grey
Bl..D+/-	Ethernet Gigabit bidirect. data line (A-D)	Mag	Magnet activation	WH	White
EN ^{0/RS422}	Encoder 0-pulse 0-0̄ (TTL)	RES	Input confirmation	PK	Pink
		EDM	Contacting Monitoring	GNYE	Green/Yellow

