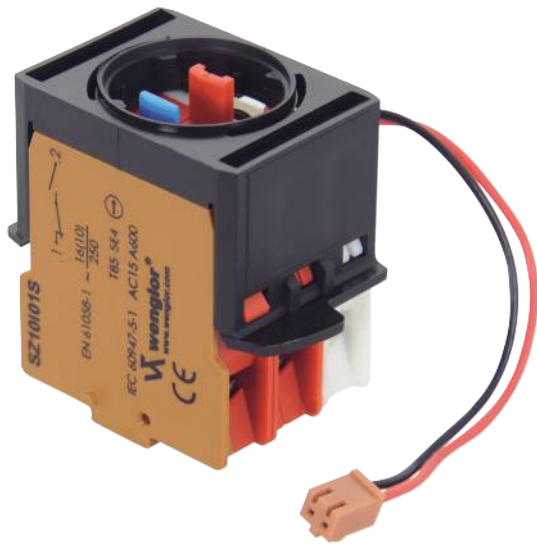


Emergency Stop Switch Contact Block

SC20J01S

Part Number



- Including illumination module
- Integrated defect protection
- Narrow installation width

Contact blocks are suitable for applications up to PL e per EN ISO 13849-1 and up to SIL CL 3 per EN 62061.

Technical Data

Electrical Data

Temperature Range	-30...70 °C
Storage temperature	-50...85 °C
Service Life (nominal load)	20000 Switching Cycles
Protective Insulation, Rated Voltage	250 V

Mechanical Data

Contact material	AgNi
Service Life	20000 Switching Cycles
Bounce time	< 10 ms
Connection	Screw-type connection
Clampable Wire Cross-Section	2,5 mm ²

Safety-relevant Data

B10d Switching Cycles	104 000
Number of positively driven contacts	2

Function

Fault Protection	yes
Lighting module	yes

Applicable actuator	SEAL01
---------------------	--------

Connection Diagram No.

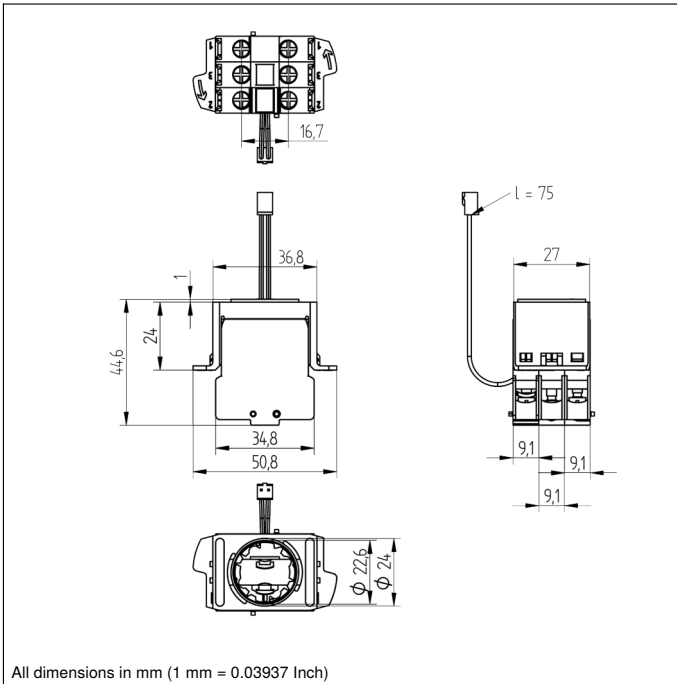
P08

Actuator must be ordered separately (not included in delivery)

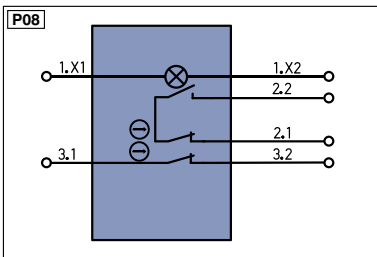
Complementary Products

Safety Relay SR4B3B01S, SR4D3B01S


Software



All dimensions in mm (1 mm = 0.03937 Inch)



Legend

+ Supply Voltage +	PT Platinum measuring resistor	EN^{A/RS422} Encoder A/ \bar{A} (TTL)
- Supply Voltage 0 V	nc not connected	EN^{B/RS422} Encoder B/ \bar{B} (TTL)
~ Supply Voltage (AC Voltage)	U Test Input	EN^A Encoder A
A Switching Output (NO)	\bar{U} Test Input inverted	EN^B Encoder B
\bar{A} Switching Output (NC)	W Trigger Input	A_{MIN} Digital output MIN
V Contamination/Error Output (NO)	W- Ground for the Trigger Input	A_{MAX} Digital output MAX
\bar{V} Contamination/Error Output (NC)	O Analog Output	A_{OK} Digital output OK
E Input (analog or digital)	O- Ground for the Analog Output	SY_{in} Synchronization In
T Teach Input	BZ Block Discharge	SY_{OUT} Synchronization OUT
Z Time Delay (activation)	A_{WV} Valve Output	OL_T Brightness output
S Shielding	a Valve Control Output +	M Maintenance
RxD Interface Receive Path	b Valve Control Output 0 V	rsv reserved
TxD Interface Send Path	SY Synchronization	Wire Colors according to DIN IEC 757
RDY Ready	SY- Ground for the Synchronization	BK Black
GND Ground	E+ Receiver-Line	BN Brown
CL Clock	S+ Emitter-Line	RD Red
E/A Output/Input programmable	⊕ Grounding	OG Orange
 IO-Link	S_{nR} Switching Distance Reduction	YE Yellow
PoE Power over Ethernet	Rx+/- Ethernet Receive Path	GN Green
IN Safety Input	Tx+/- Ethernet Send Path	BU Blue
OSSD Safety Output	Bus Interfaces-Bus A(+)/B(-)	VT Violet
Signal Signal Output	L_a Emitted Light disengageable	GY Grey
Bl..D+/- Ethernet Gigabit bidirect. data line (A-D)	Mag Magnet activation	WH White
EN^{0/RS422} Encoder 0-pulse 0-0 (TTL)	RES Input confirmation	PK Pink
	EDM Contactor Monitoring	GNYE Green/Yellow

