

Guard Locking Device

Electromagnetic, Power to Lock Principle

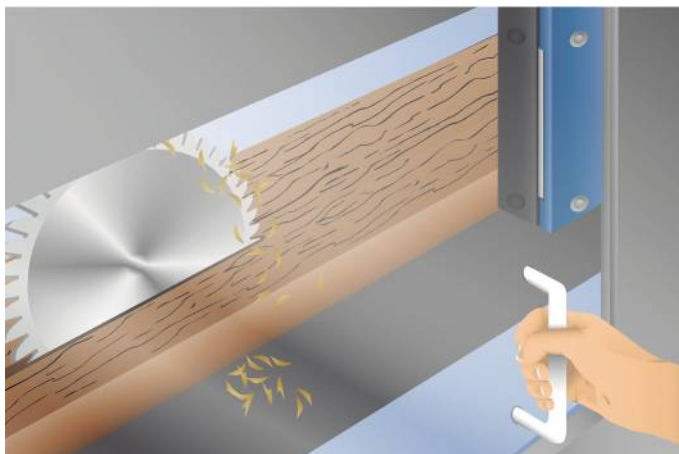
SD4ICS01SE89

Part Number



- 500 N locking force (monitored)
- Easy to clean
- Extensive diagnosis

This innovative guard locking device is suitable for process safety thanks to the constantly monitored locking force. Also, the safety level cat. 4 PL e (EN ISO 13849-1) can be achieved with just one guard locking device and is retained even during series connection. Response and risk times remain unchanged during series connection. Extensive diagnosis functions boost system availability and make installation and maintenance easier. Thanks to the electrical locking, no touching components whatsoever are used and therefore wear, the guard door clattering (and rattling) loudly and laborious cleaning work are avoided.

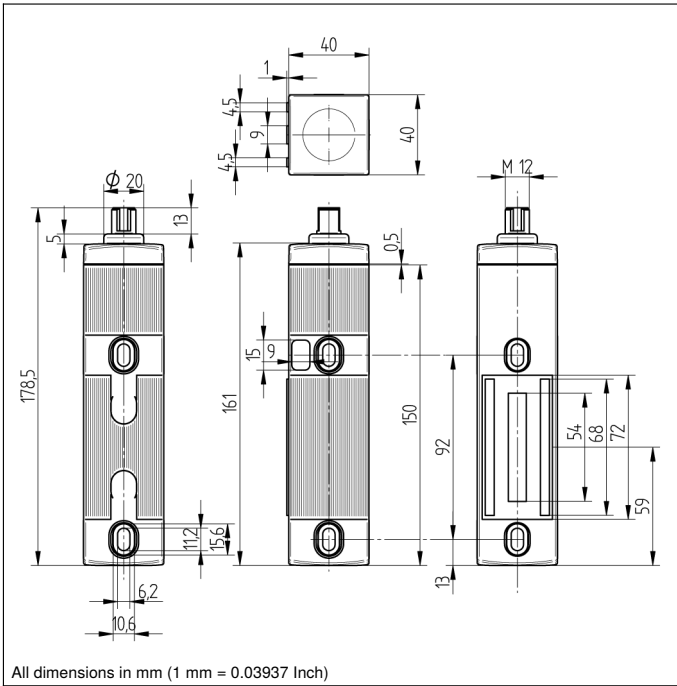


Technical Data

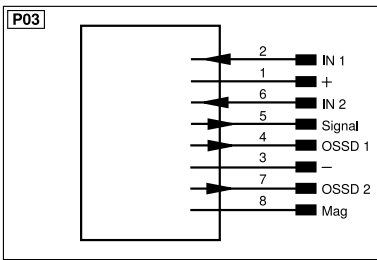
Electrical Data	
Sensor Type	Locking unit
Supply Voltage	20,4...26,4 V DC
Response Time	< 150 ms
Risk time	< 150 ms
Temperature Range	-25...55 °C
Storage temperature	-25...85 °C
Safety Output	OSSD
Number of safety outputs (OSSDs)	2
PNP Safety Output/Switching Current	< 250 mA
Number of Signal Outputs	1
PNP signal output switching current	< 50 mA
Short Circuit Protection	yes
Protection Class	II
Mechanical Data	
Housing Material	Plastic
Degree of Protection	IP67
Connection	M12 × 1; 8-pin
Safety-relevant Data	
Operating principle	Inductively coded
Coding	Standard
Performance Level (EN ISO 13849-1)	Cat. 4 PL e
PFHD	3,50 × E-9 1/h
Safety Integrity Level (EN 61508)	SIL3
Safety Integrity Level (EN 62061)	SILCL3
PDDb (EN 60947-5-3)	yes
Locking Device	Power to lock principle
Locking Force F, guaranteed	500 N
Locking Force Fmax, typical	750 N
Function	
Series Connection	yes
Monitored lock	yes
Applicable actuator	SD4ICA01
Connection Diagram No.	P03
Suitable Connection Equipment No.	89
Suitable Mounting Technology No.	830

Complementary Products

Safety Relay SR4B3B01S, SR4D3B01S
Software



All dimensions in mm (1 mm = 0.03937 Inch)



Legend			
+	Supply Voltage +	nc	Not connected
-	Supply Voltage 0 V	U	Test Input
~	Supply Voltage (AC Voltage)	Ū	Test Input inverted
A	Switching Output (NO)	W	Trigger Input
Ā	Switching Output (NC)	W-	Ground for the Trigger Input
V	Contamination/Error Output (NO)	O	Analog Output
ȳ	Contamination/Error Output (NC)	O-	Ground for the Analog Output
E	Input (analog or digital)	BZ	Block Discharge
T	Teach Input	Amv	Valve Output
Z	Time Delay (activation)	a	Valve Control Output +
S	Shielding	b	Valve Control Output 0 V
RxD	Interface Receive Path	SY	Synchronization
TxD	Interface Send Path	SY-	Ground for the Synchronization
RDY	Ready	E+	Receiver-Line
GND	Ground	S+	Emitter-Line
CL	Clock	±	Grounding
E/A	Output/Input programmable	SnR	Switching Distance Reduction
	IO-Link	Rx+/-	Ethernet Receive Path
PoE	Power over Ethernet	Tx+/-	Ethernet Send Path
IN	Safety Input	Bus	Interfaces-Bus A(+)/B(-)
OSSD	Safety Output	La	Emitted Light disengageable
Signal	Signal Output	Mag	Magnet activation
BI_D+/-	Ethernet Gigabit bidirect. data line (A-D)	RES	Input confirmation
ENo RS422	Encoder 0-pulse 0/0 (TTL)	EDM	Contactor Monitoring
PT	Platinum measuring resistor	ENARs422	Encoder A/Ā (TTL)
			ENBRS422 Encoder B/Ī (TTL)
			ENA Encoder A
			ENB Encoder B
			AMIN Digital output MIN
			AMAX Digital output MAX
			AOK Digital output OK
			SY In Synchronization In
			SY OUT Synchronization OUT
			OLT Brightness output
			M Maintenance
			rsv Reserved
			Wire Colors according to DIN IEC 60757
			BK Black
			BN Brown
			RD Red
			OG Orange
			YE Yellow
			GN Green
			BU Blue
			VT Violet
			GY Grey
			WH White
			PK Pink
			GNYE Green/Yellow

