

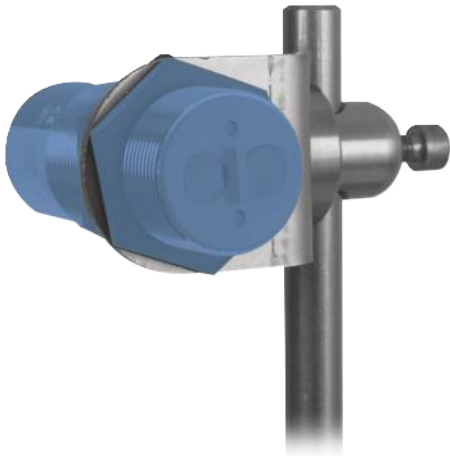
# Mounting for M30 × 1,5

## W30S12VA

Part Number

### Technical Data

Mechanical Data	
Material Mounting Head	Stainless Steel V2A
Material Mounting Plate	Stainless Steel V2A
for Round Profile Diameter	8...13 mm
Packaging unit	1 Piece
Mounting Number	130
Suitable Mounting Technology No.	550



- Flexible alignment options
- For M30 × 1,5
- Simple installation
- Stainless steel

The mounting system allows to adjust sensors and reflectors and to turn them around 360 degrees in horizontal and vertical direction.

