

Mounting for M8 × 1

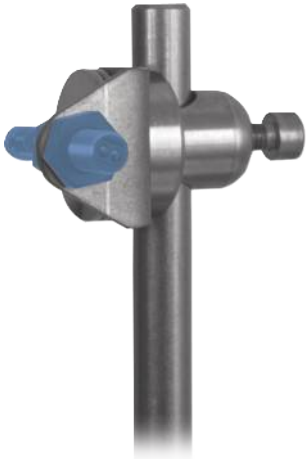
W8S12AL

Part Number

Technical Data

Mechanical Data

Material Mounting Head	Aluminum
Material Mounting Plate	Stainless Steel V2A
for Round Profile Diameter	8...13 mm
Packaging unit	1 Piece
Mounting Number	200
Suitable Mounting Technology No.	550



- Aluminum
- Flexible alignment options
- For M8 × 1
- Simple installation

The mounting system allows to adjust sensors and reflectors and to turn them around 360 degrees in horizontal and vertical direction.

