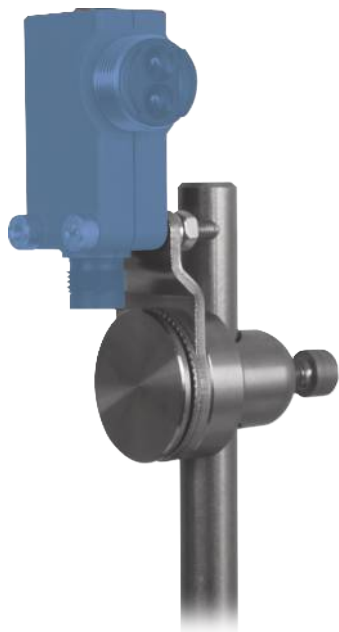


Mounting for 56,5 × 26 × 16 mm (M)

WRS12AL

Part Number



Technical Data

Mechanical Data

Material Mounting Head	Aluminum
Material Mounting Plate for Round Profile Diameter	Stainless Steel V2A 8...13 mm
Packaging unit	1 Piece
Mounting Number	370
Suitable Mounting Technology No.	550

- Aluminum
- Flexible alignment options
- For 56,5 × 26 × 16 mm
- Simple installation

The mounting system allows to adjust sensors and reflectors and to turn them around 360 degrees in horizontal and vertical direction.

