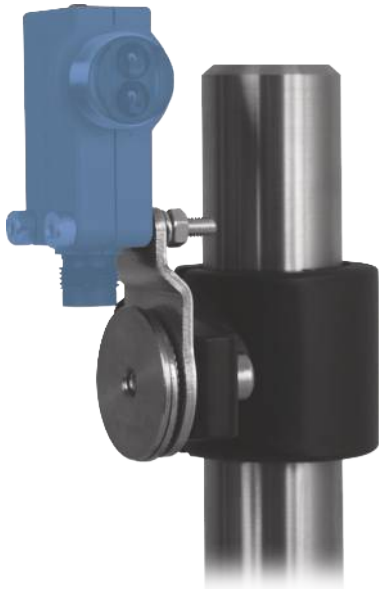


Mounting for 56,5 × 26 × 16 mm (M)

WRS30KU

Part Number



Technical Data

Mechanical Data

Material Mounting Head	Plastic PA
Material Mounting Plate	Stainless Steel V2A
for Round Profile Diameter	30 mm
Packaging unit	1 Piece
Mounting Number	370

- Flexible alignment options
- For 56,5 × 26 × 16 mm
- Plastic
- Simple installation

The mounting system allows to adjust sensors and reflectors and to turn them around 360 degrees in horizontal and vertical direction.

