

Connection Box for M12 × 1; 4-pin; 4 Ports

ZAA02R501

Part Number



Technical Data

Electrical Data

Supply Voltage 18...30,2 V

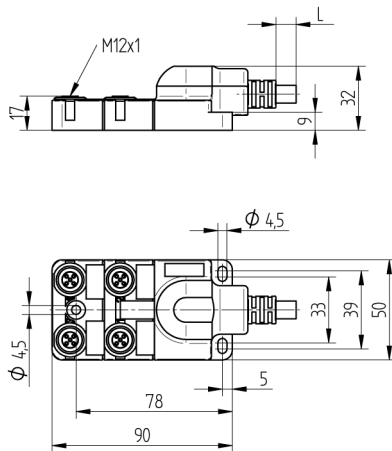
Mechanical Data

| | |
|--|-----------------------------|
| Connection 1 | Socket, 4 ports |
| Connection mode 1 | M12 × 1, 4-pin |
| Torque | M12: 0,6 Nm +0,1 Nm |
| Cable Length | 5 m |
| Outer diameter (d) | 8,1 mm |
| Wire cross-section | 0,34 / 0,75 mm ² |
| Display | LED |
| Degree of Protection | IP67 |
| Temperature Range | -20...70 °C |
| Housing Material | Plastic |
| Cable Jacket Material | PUR |
| Material Wire Insulation | PVC |
| Halogen-free | yes |
| Drag Chain Suitable | yes |
| Bending radius (fixed installation) | 12 × d |
| Bending radius (used in motion) | 12 × d |
| Travel speed (with 5 m horizontal travel distance) | 2 m/s |
| Acceleration | 5 m/s ² |
| Bending cycles | > 2000000 |
| Packaging unit | 1 Piece |

Suitable Connection Equipment No.

2s

● High protection class IP67



All dimensions in mm (1 mm = 0.03937 Inch)

