

# Retaining Clamp

for Ø 12 mm mounting bar/10 × 10 mm mounting profile

## ZBSY001

Part Number



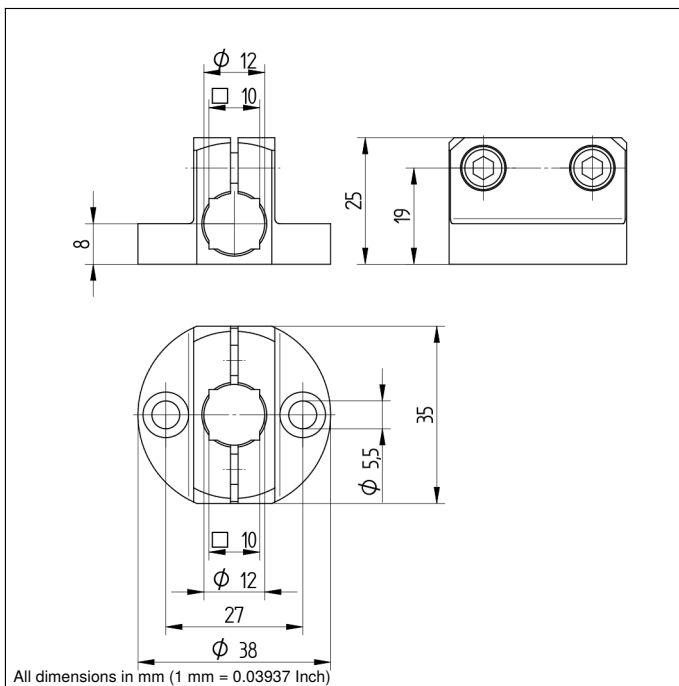
### Technical Data

#### Mechanical Data

Diameter	38 mm
Thread	M5
Installation Type	Profile
Installation Type	Round bar
Mounting Type	Slot nuts *
Mounting Type	Slotted clamp screw
Material	Aluminum
for Round Profile Diameter	12 mm
For edge length	10 × 10 mm
Packaging unit	1 Piece
Mounting Number	<b>180</b>
Suitable Mounting Technology No.	<b>550</b>

- Easy installation on aluminum system profiles
- For use with a socket head cap screw (M5) and slot nuts\*
- Optional mounting on plates
- Screw-type technology

The mounting clamps function as rod profile holders and can be mounted on aluminum profiles, for example. Mounting profiles and rods can be inserted and clamped from above and to the side.



\* not included

