

Retaining Clamp

for Ø 12 mm mounting bar/10 × 10 mm mounting profile

ZBSY003

Part Number

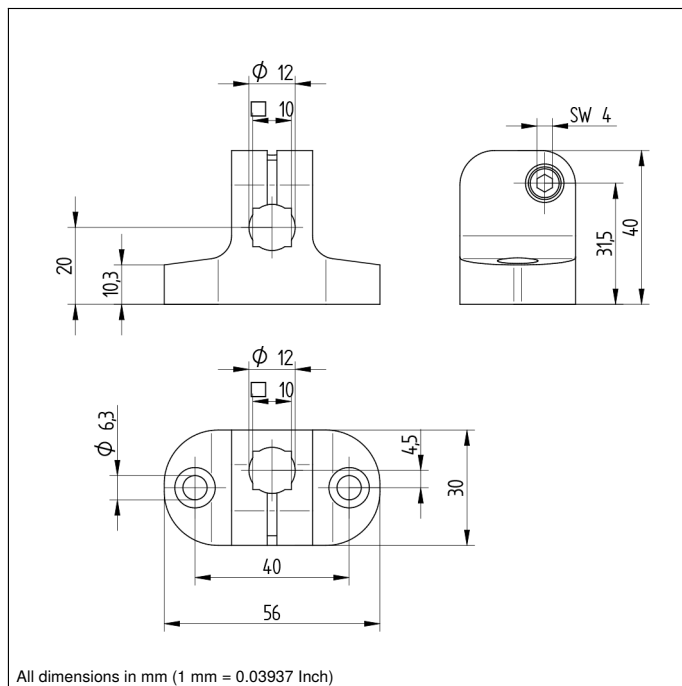


Technical Data

Mechanical Data

Thread	M5
Installation Type	Profile
Installation Type	Round bar
Mounting Type	Slot nuts *
Mounting Type	Slotted clamp screw
Material	Plastic
for Round Profile Diameter	12 mm
For edge length	10 × 10 mm
Clamp retainer tightening torque	3 Nm
Packaging unit	1 Piece
Mounting Number	180
Suitable Mounting Technology No.	550

- Easy installation on aluminum system profiles
- For use with a socket head cap screw (M5) and slot nuts*
- Optional mounting on plates
- Screw-type technology



* not included



The mounting clamps function as rod profile holders and can be mounted on aluminum profiles, for example. Mounting profiles and rods can be inserted and clamped from above and to the side.