

# Mounting for Guard Locking Device SD4ICSxxSE89

## ZMBSD0001

Part Number

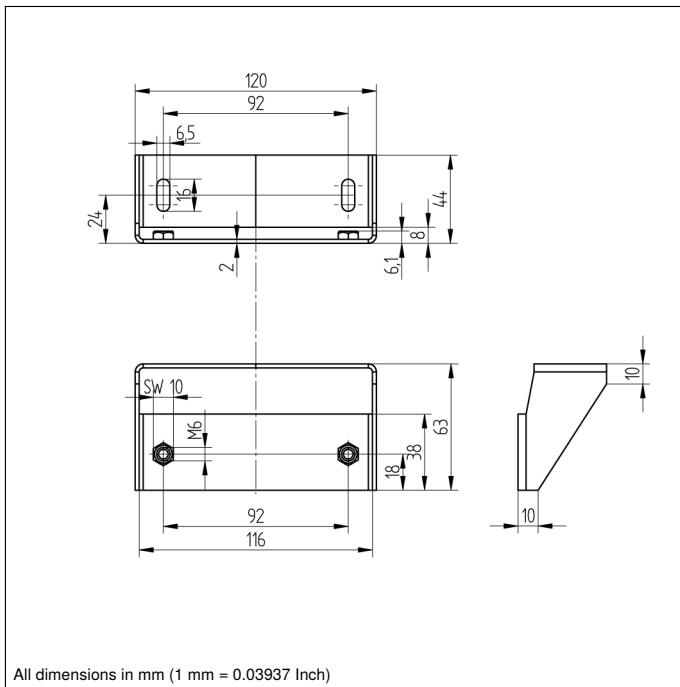


### Technical Data

#### Mechanical Data

Material	Steel zinc-plated
Scope of delivery	2 screws
Packaging unit	1 Piece
Mounting Number	<b>830</b>

- Powder-coated



All dimensions in mm (1 mm = 0.03937 Inch)

