

Cable Gland
for Protective Housing ZNNS00x

ZNNG027

Part Number

InoxSens

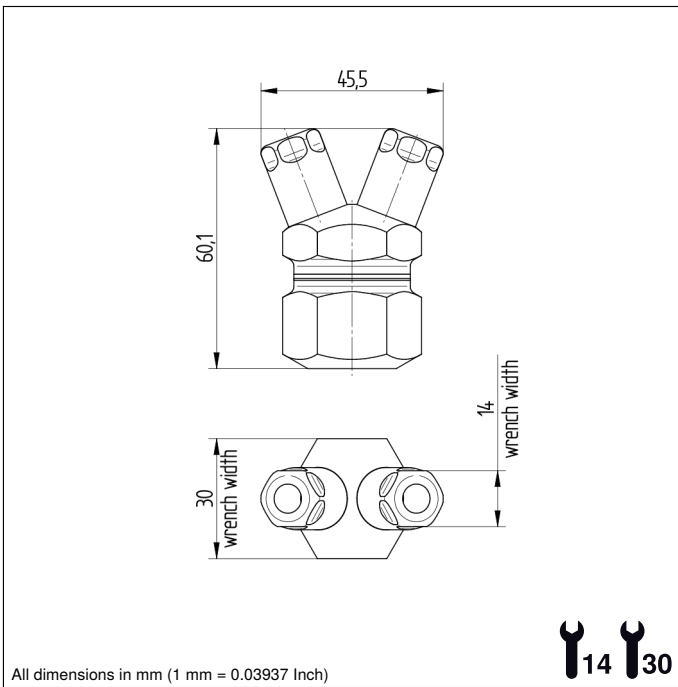


Technical Data

Mechanical Data

Temperature Range	-20...100 °C
Material	Stainless Steel
Material Sealing	Silicone (FDA)
Degree of Protection	IP69K
with threaded cable gland IP69K	yes
For cable diameter	3...6,5 mm
Packaging unit	1 Piece
Hygienic Design	<input checked="" type="checkbox"/>
Detergent resistant	<input checked="" type="checkbox"/>

- Resistant to cleaning agents
- Waterproof (IP69K)



Suitable for straight cables.

