

Mounting for Protective Housing ZNNS00x

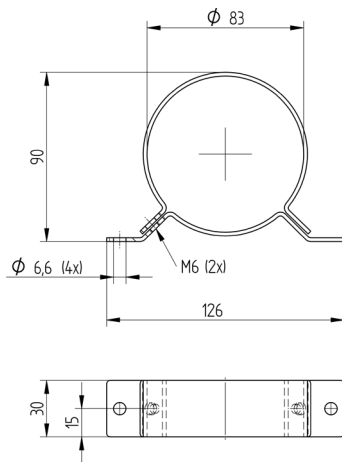
ZNNM002

Part Number

Technical Data

Mechanical Data

| | |
|-----------------|---------------------|
| Material | Stainless Steel V2A |
| Packaging unit | 1 Piece |
| Mounting Number | 501 |



All dimensions in mm (1 mm = 0.03937 Inch)

