

Red Bandpass Filter

for C mount lens

ZVZG211

Part Number



Technical Data

Optical Data

Usable wavelength range	615...645 nm
Maximum transmission	≥ 90 %
Half-value width FWHM	60 nm
Tolerance	± 10 nm

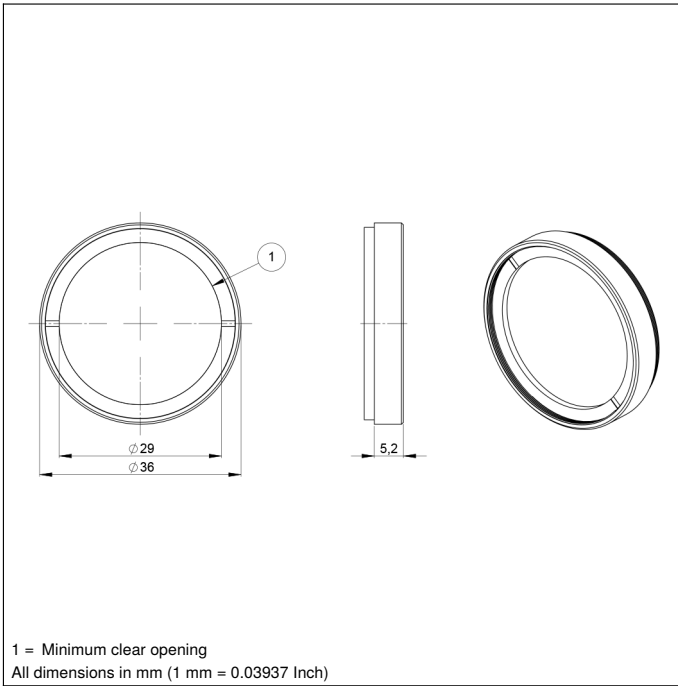
Mechanical Data

Mounting type, device-side	can be screwed
Material	Glass
Filter Screw Size	M34 x 0,5 mm
Temperature Range	-40...300 °C
Surface quality	40/20
Packaging unit	1 Piece

Bandpass filters for red light are recommended when using red illumination. With image processing applications that use red light, interfering ambient light is filtered out, making the application more robust.

Complementary Products

Lens



Transmission curve

