



MH4D Series

40mm Panel Mount Dome-type LED Indicator



- Robust, efficient, and easy-to-install
- Single-color or Multi-color models available
- Mounting hole diameter: $\varnothing 20$ - $\varnothing 22$ mm
- Lead wire or M12 connector plug type
- IP65 protection (front side)

Ordering Information

MH4D - P 02 - RG
 ① ② ③

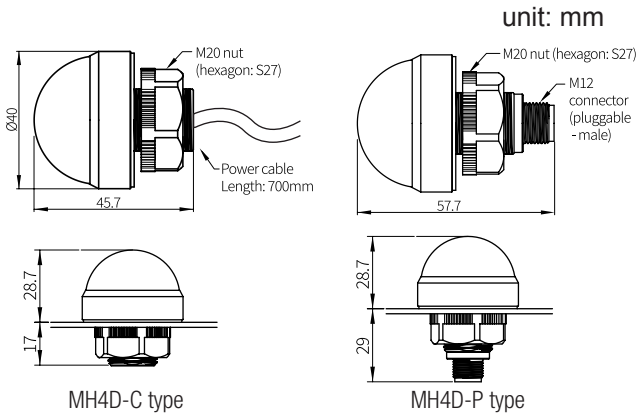
① Product type	C	Cable wiring type
	P	M12 connector plug type
② Voltage	02	24VDC
③ LED Colors	1Color type	R Red
		Y Yellow
		G Green
		B Blue
	Multi color	W White
		RG Red/Green
		RB Red/Blue
		RYG Red/Yellow/Green
RBG Red/Blue/Green		

Specifications

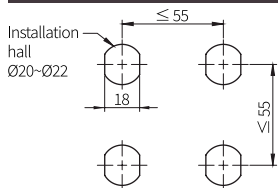
Power Supply	24V DC $\pm 10\%$
Function	LED steady
Material	ABS resin(body and fixing nut), PC resin(cover), M12 Connector Plug - Steel
Degree of Protection	IP65 (Front side)
Ambient Temperature	-20 ~ 50°C / -4°F ~ 122°F (no freezing)
Storage Temperature	-30 ~ 70°C / -22°F ~ 158°F (no freezing)
Ambient Humidity	45~85% RH (no condensation)
Vibration-Resistant	30Hz (1 minute cycle) 1 hours double amplitude 0.5mm in X, Y, Z respective direction
Certification	CE, RoHS

	MH4D-C	MH4D-P
Weight	1color type: 40g	1color type: 46g
Cable Spec	UL2464, 22AWG, material: PVC, External dimensions: $\varnothing 4$ mm, 700mm Allowable cable bending radius: 30 mm	4 pin cable: 22 AWG (0.08mm, 60 cores), Outer diameter of insulator: $\varnothing 1.25$ mm

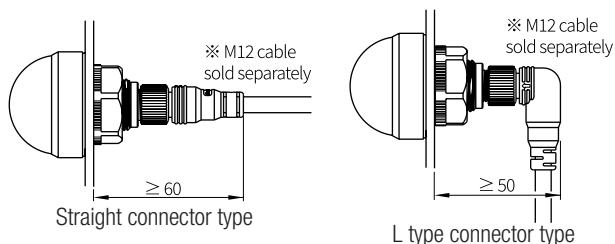
Dimensions



Mount hole dimension



MH4D-P type M12 Connector Assembly Dimension



	1 Color	2 Colors	3 Colors
Current Consumption	Red: 26mA, Yellow: 24mA, Green: 18mA, Blue: 20mA, White: 21mA	RG (Red/Green LED): 48mA, RB (Red/Blue LED): 48mA	RYG (Red/Yellow/Green LED): 65mA, RBG (Red/Blue/Green LED): 60mA
LED Color	R(Red), Y(Yellow), G(Green), B(Blue), W(White)	RG(Red/Green), RB(Red/Blue)	RYG(Red/Yellow/Green), RBG(Red/Blue/Green)
Lens Color	Red(Red LED), Yellow(Yellow LED), Green(Green LED), Blue(Blue LED), White(White LED)	Milky white (RG, RB, RYG, RBG LED)	
Product Brightness (± 50 cd/m ²)	Red: 850, Yellow: 680, Green: 2250, Blue: 970, White: 4140	Red: 580, Green: 1850, Blue: 640	Red: 320, Yellow: 160, Green: 940, Blue: 350

- LED lifetime is app. 50,000 hours, depending on operating conditions and environment.
 - Due to the nature of LEDs, color temperature, brightness and color will vary for each and every LED and product type.

M12 connector wiring specifications (sold separately)

unit: mm

M12 cable (4-wire, Socket-Female)

Connection straight type		Connection part L-shaped	
Product Name	Length	Product Name	Length
CIDH4-2	2m	CLDH4-2	2m
CIDH4-3	3m	CLDH4-3	3m
CIDH4-5	5m	CLDH4-5	5m

