

KEY FEATURES



- IP68 - Fully encapsulated and suitable for permanent submersion (up to 25ft depth)
- Marine grade aluminum alloy housing with a triple layer powdercoated finish for optimized corrosion resistance
- Provided with standard glass or special order polycarbonate lens
- Approved for marine use, outside type (saltwater)
- 0-10v dimmable power supply (class 1 wiring)
- Thermally managed for maximum longevity
- -40°C to +60°C operating range
- Designed for harsh locations



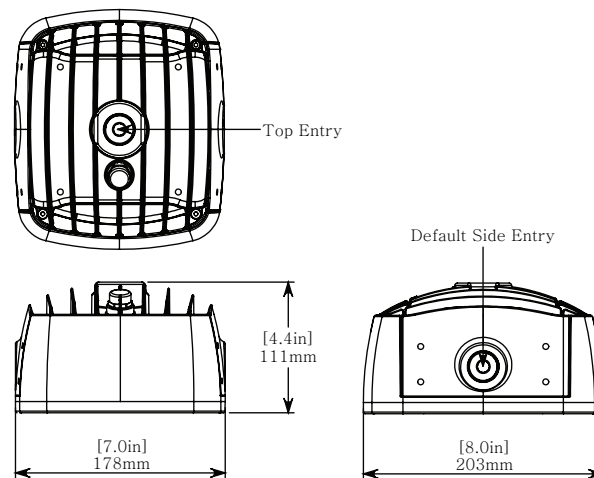
TECHNICAL SPECIFICATIONS / MAXIMUM RATINGS

HOUSING	Copper-free high pressure die-cast aluminum housing, glass or polycarbonate protective lens, stainless steel fasteners
MOUNTING	SEE PAGE 3 FOR MOUNTING OPTIONS
INPUT VOLTAGE	AC: 120-277 VAC HV: 347 VAC
POWER (TYP)	JR2: 18 W JR4: 37 W
CURRENT (TYP)	JR2: AC 0.15A @ 120VAC HV 0.07A @ 347VAC JR4: AC 0.32A @ 120VAC HV 0.11A @ 347VAC
CONNECTIONS	Unless otherwise specified, luminaire supplied with 3.3 meter (10ft) 18/3 500W 9.3mm (0.365") diameter cord wired from side entry. 0-10V dimming is only possible if 18/5 500W 11.9mm (0.47") diameter cord is specified.*
TEMPERATURE RANGE	-40°C to +60°C
CERTIFICATIONS	Conforms to: CSA C22.2 No. 250.0:21; CSA C22.2 No. 250.12:20; IEC 60529; UL 1598, UL1598A, UL 8750;
INGRESS PROTECTION	IP68 Fully encapsulated and suitable for permanent submersion (up to 25ft depth)
COLOUR TEMP RANGE	50: 5,000K Special Order: 2,700-6,500K
CRI VALUE (MIN)	50: 70 Higher CRI options available for special order
TOTAL LUMENS	JR2: GWC - 2,299 JR4: GWC - 4,181
LUMEN MAINTENANCE	LM-80 > 100,000 hrs**
WEIGHT	3.28 kg 7.22 lbs

*Contact us for alternative cord length, cord type, cord entry and cable gland selection.

**The ambient temperature during lifetime, lumen and chromaticity determination is 25°C ± 1°C.

DIMENSIONS

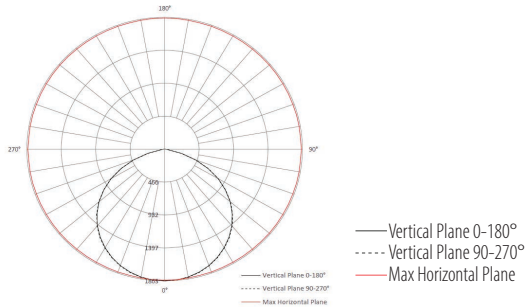


WARRANTY

Five (5) year limited warranty to the original purchaser. The warranty covers defects in materials and workmanship under normal use and service.

For additional information see: <https://www.nemalux.com/legal>

OPTIC OPTIONS

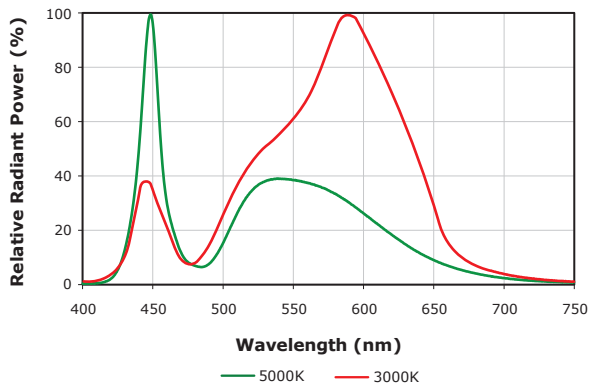


GWC - Wide Beam (No Optics)

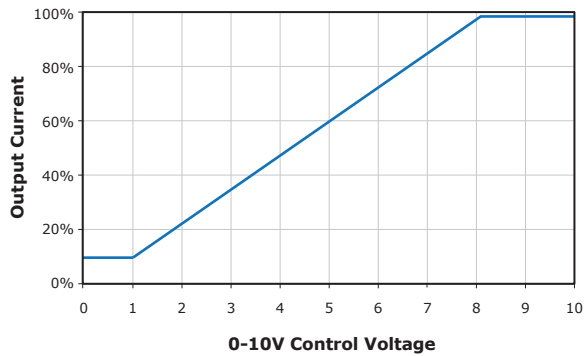
AC MODELS (5000K CCT, minimum)

MODEL	LUMENS	WATTS	LUMENS/WATT
JR2	2,299	18	127
JR4	4,181	36	116

PHOTOMETRICS



OPTIONAL 0-10V DIMMING*

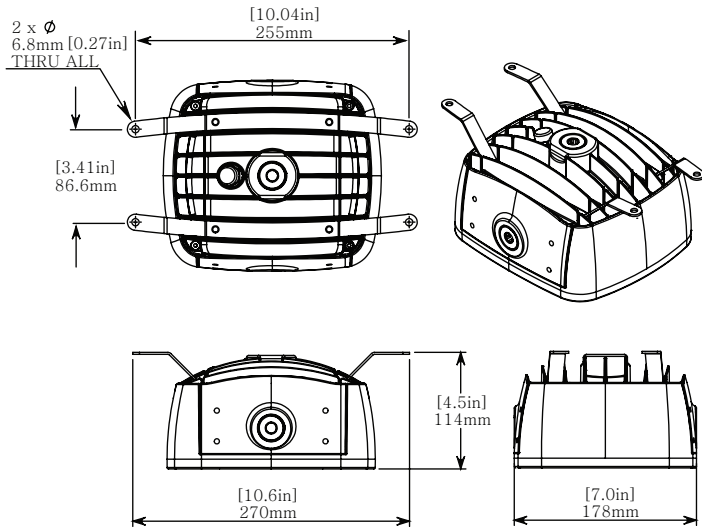


- Driver will source a maximum of 200uA for control needs
- Controller must sink current from the 0-10V control leads

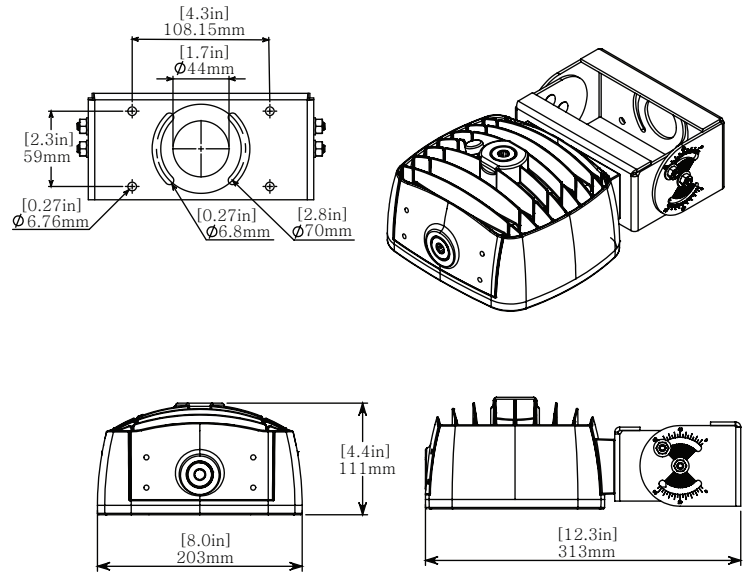
*Contact us to specify dimming models and cord requirements

MOUNTING OPTIONS (Order Separately)

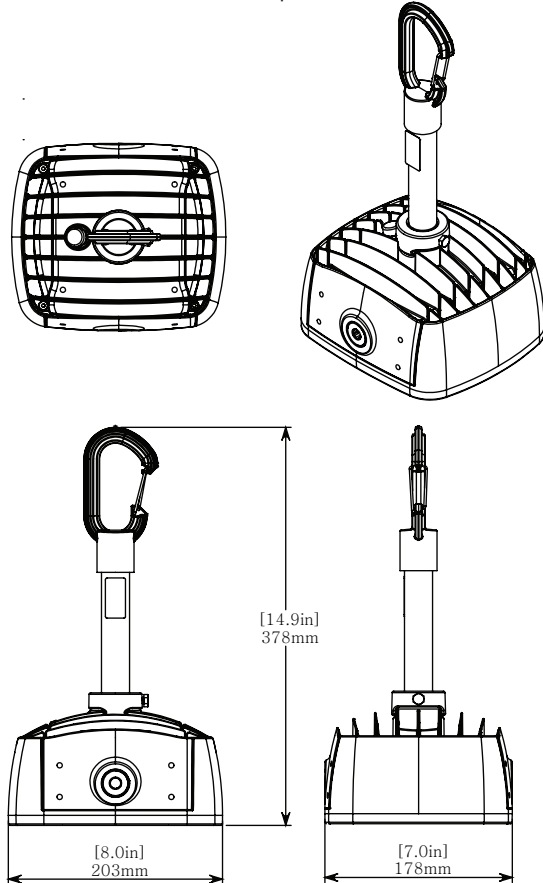
SURFACE MOUNT (JR-SM) : 3.42 kg | 7.52 lbs | EPA: 0.03 m² / 0.34 ft²



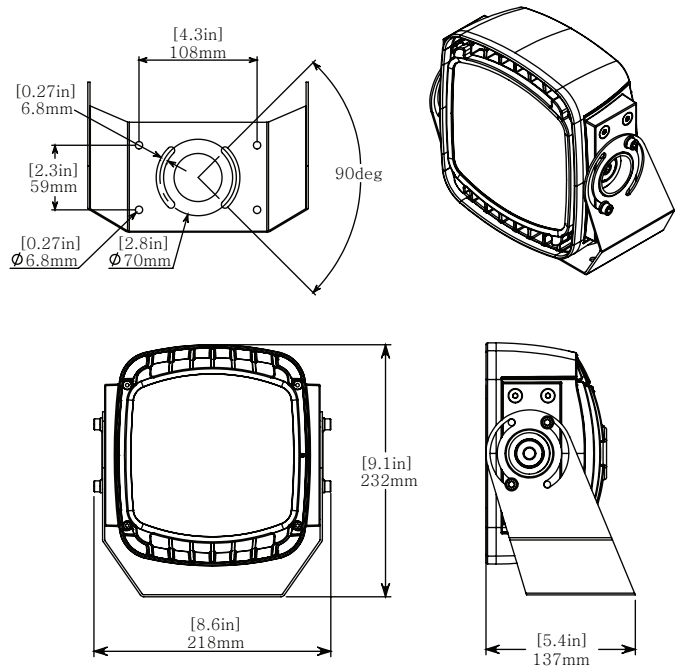
YOKE MOUNT (JR-YM) : 5.08 kg | 11.18 lbs | EPA: 0.04 m² / 0.4 ft²



PENDANT HOOK MOUNT (JR-HK) : 4.21 kg | 9.26 lbs



**HIGH VIBRATION YOKE MOUNT (JR-YK) : 4.30 kg | 9.46 lbs
EPA: 0.03 m² / 0.36 ft²**



ORDERING INFORMATION

PROJECT NAME		TYPE
PROJECT LOCATION		
COMMENT		DATE
PREPARED BY		

MODEL SELECTOR

Sample Number: JR4-50-GWC-GY-EN-AC

MODEL	COLOUR	LENS OPTIC	FINISH	LOCATION	POWER
-	-	-	GY	EN	-
JR2 JR4	50 - 5,000K, 70CRI Special Order: 27 - 2,700K, 70CRI ¹ 27H - 2,700K, 90CRI ¹ 30 - 3,000K, 70CRI ¹ 30H - 3,000K, 90CRI ¹ 35 - 3,500K, 80CRI ¹ 35H - 3,500K, 90CRI ¹ 40 - 4,000K, 70CRI ¹ 40H - 4,000K, 90CRI ¹ 50H - 5,000K, 90CRI ¹ 57 - 5,700K, 70CRI ¹ 57H - 5,700K, 90CRI ¹ 65 - 6,500K, 70CRI ¹ 65H - 6,500K, 90CRI ¹	GWC - Wide Beam with Clear Glass Lens WC - Wide Beam with Clear Polycarbonate Lens ¹	GY - Grey Custom finishes available. Please contact for details. ¹	EN - Fully Encapsulated	AC - 120-277VAC (50/60Hz) HV - 347VAC (50/60Hz)

ACCESSORIES (Order Separately)

Sample Number: JR-SM

ACCESSORY	FINISH
JR-SM - Surface/Suspended Mount ² JR-HK - Pendant Hook Mount JR-YM - Yoke Mount ² JR-YK - High Vibration Yoke Mount ²	BLANK - Stainless Steel

NOTES:

1. Minimum order quantities, additional costs and lead times may apply.
2. Only available in stainless steel finish.