



# Mi4B Series

40mm Surface Mount Dome-type Illuminated Buzzer

- Mounted on any surface with screws
- Red LED is on or blinks when the buzzer operates
- Buzzer volume: 80±5dB
- IP65 protection (front side)



## Ordering Information

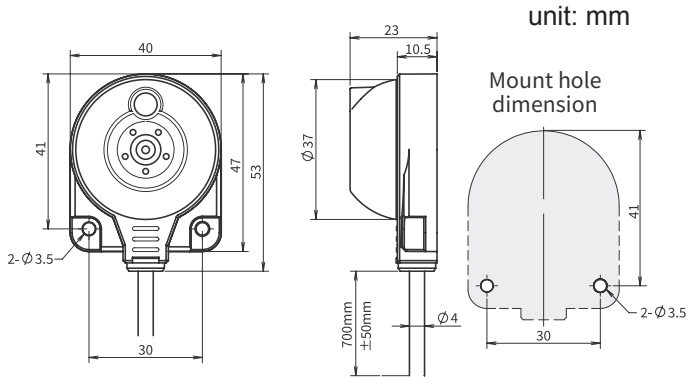
Mi4B - C 02 F - Y  
 ① ② ③ ④

① Product type	C	Cable wiring type
② Voltage	01	12VDC
	02	24VDC
③ Sound type	F	Intermittent sound
	D	Continuous sound
④ Front cover color	Y	Yellow
	B	Black
	W	Dark Ivory

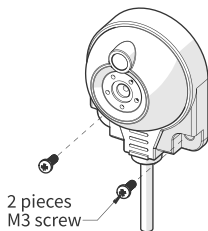
## Specifications

Buzzer volume	80±5dB (at 1 m distance)	
Sound type	Intermittent sound , Continuous sound	
Fixing hole	Fix the body to the surface using M3 bolts (2 pcs)	
Indicator light	Red LED (intermittent sound - LED flashing, continuous sound - LED on)	
Material	ABS resin(body and fixing nut ), PC resin(buzzer cover)	
Insulation Resistance	≥ 1,000MΩ (500VDC Mega standard)	
Withstand voltage	500VAC, 50/60Hz for 1 minute (between power terminal and case)	
Vibration-resistant	30Hz (1 minute cycle) 1 hours double amplitude 0.5mm in X, Y, Z respective direction	
Ambient temperature	-15 ~ +50°C (no freezing)	
Storage temperature	-25 ~ +65°C (no freezing)	
Ambient humidity	35~85% RH (no condensation)	
Degree of protection	IP65 (front side)	
Certification	RoHS	
Weight	≈ 44 g	
Power supply	12VDC ±10%	24VDC ±10%
Current consumption	intermittent ≥ 30mA continuous ≥ 40mA	intermittent ≥ 30mA continuous ≥ 40mA

## External Dimensions



## Product installation



- Install the buzzer to the mounting surface using 2 pieces of M3 screws.
- Tighten the screws to a maximum torque of 0.6 N·m.

## Connection diagram

